

Remote control SCHNEID-FBR6

Remote control FBR6 SCHNEID with room sensor

for module regulator series MR06, MR07, MR08, MR12

Order number: 120.09577

Order code: Fernbedienung FBR6 SCHNEID mit Raumfühler

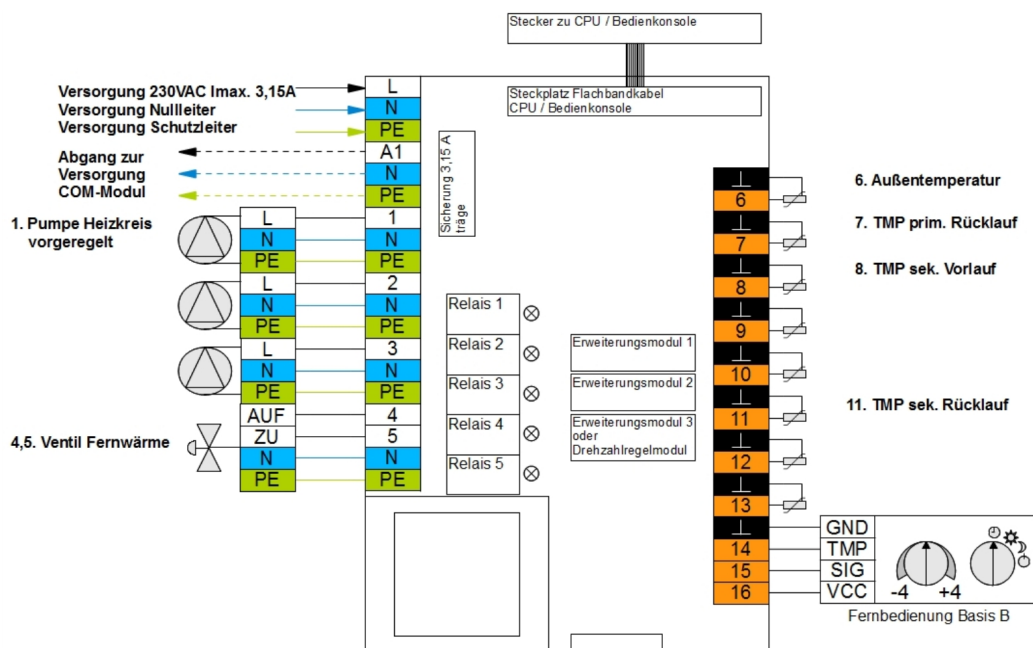


Overview

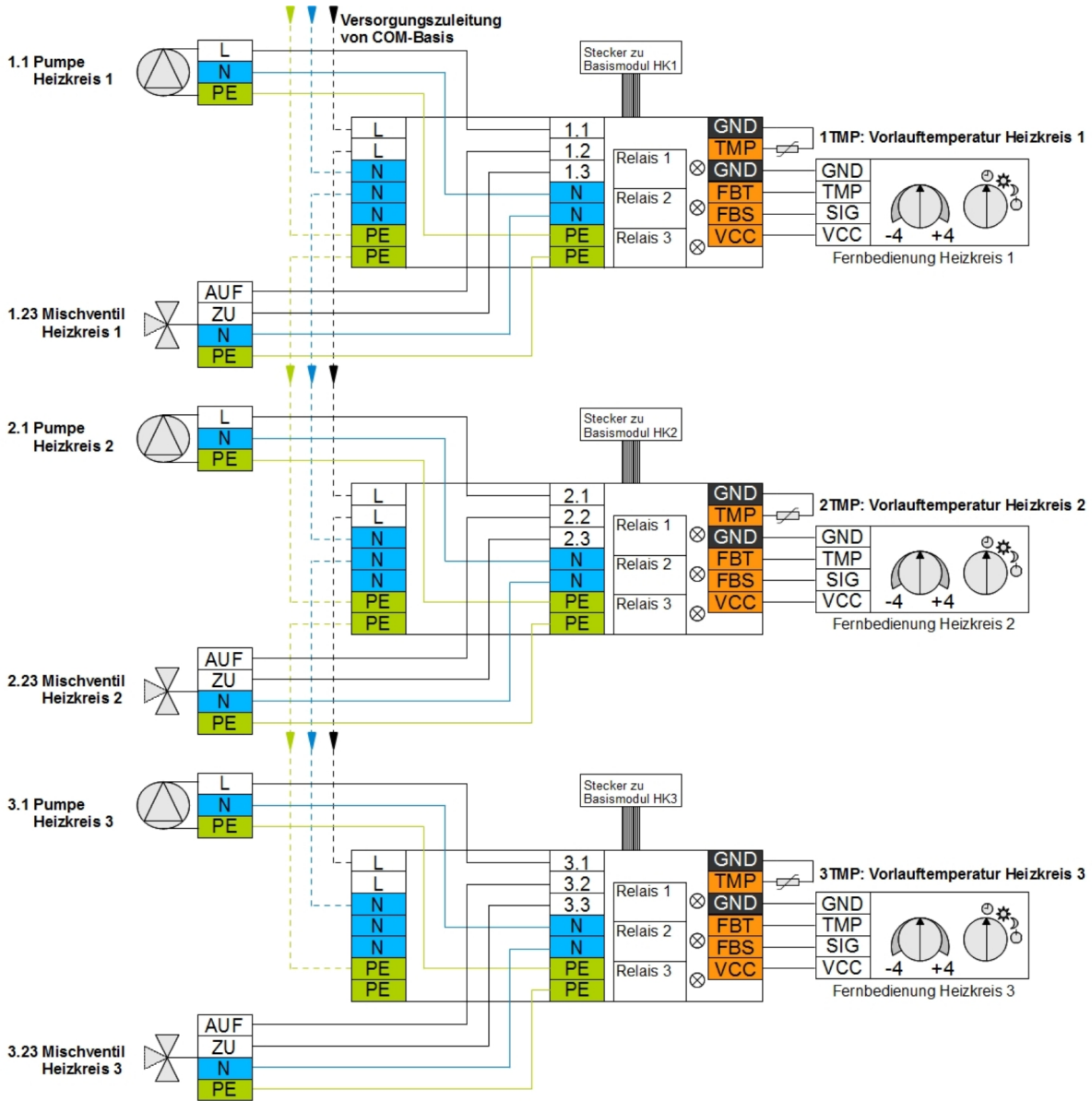
The remote control FBR6 SCHNEID is compatible with all SCHNEID control devices of the MODUL series (except MR05 T-Print).

An OFF / DAY / NIGHT / AUTOMATIC preselection switch is provided for preselecting the operating mode. A setting potentiometer with a range of plus / minus four degrees is available to change the target room temperature. A room sensor is installed in the remote control, which can be used to use various heating control programs and to optimize the SCHNEID control unit.

Connection diagram



Remote control SCHNEID-FBR6



Technical specifications:

