

Communication base module CM06

Terminal plan:

Supply connections:

	Communication base module CM06	Communication base module CM06 115VAC
L	Supply 230VAC	Supply 115VAC
N	Supply 230VAC	Supply 115VAC
PE		
L	Supply 230VAC	Supply 115VAC
N	Supply 230VAC	Supply 115VAC
PE		
+36V	Output terminal 36VDC	Output terminal 36VDC
0V	GND	GND
+5V	Output terminal 5VDC	Output terminal 5VDC
0V	GND	GND

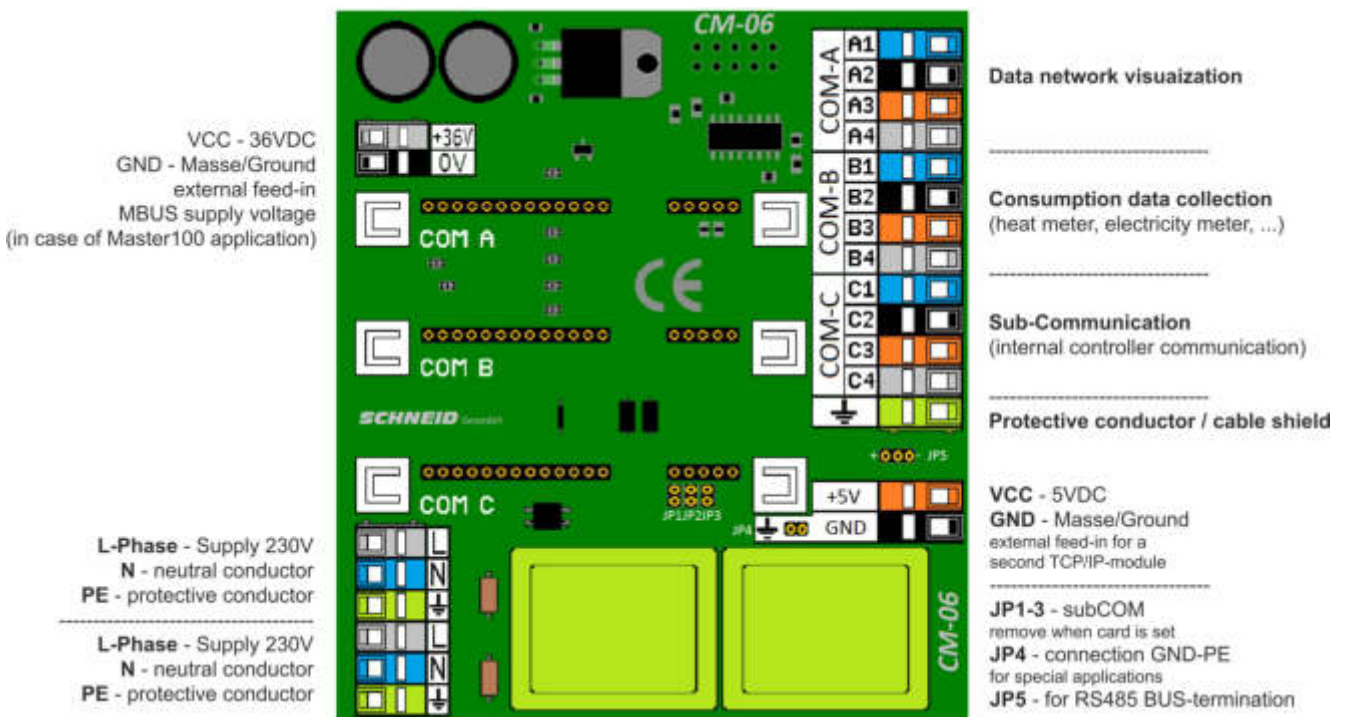
Interface connections:

Controller connector: 10-pin
 There are 3 slots for communication cards on the module.
 The slots COM-A, COM-B, COM-C are routed to terminals.

Connections:

COM-A	to terminal A1-A4
COM-B	to terminal B1-B4
COM-C	to terminal C1-C4

Depending on the interface card, terminals 1-3 have different assignments. These are described for the individual cards.



Communication base module CM06

Variants:

SCHNEID communication base module CM06

for SCHNEID Module-controller MR03, 07, 08*, 12* (*adapt cabel necessary)

Order number: 130.09471

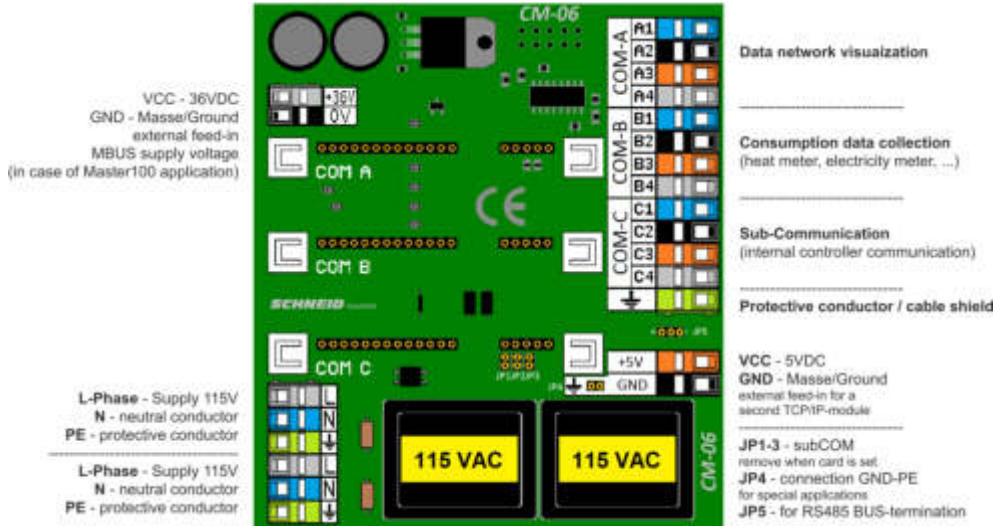
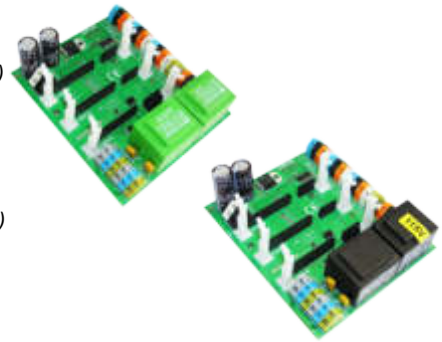
Order code: Kommunikationsbasismodul CM06

SCHNEID communication base module CM06 115VAC

for SCHNEID Module-controller MR03, 07, 08*, 12* (*adapt cabel necessary)

Order number: 130.12927





Order code: Kommunikationsbasismodul CM06 115VAC



Possible combinations:

With the production date from 06/2013 and from batch C # 22293, the communication connection on the module controller MR08 is changed from 10 to 14 poles. The use of a CM06 communication base module is only possible with an adapter cable (14 to 10-pin).

The module controller MR12 also has a 14-pin communication connection.

<p>CM06 - 10-pin</p> 	<p>MR03, MR07, MR08 (vor 2013) - 10-pin</p> 
<p>CM06 - 10-pin</p> 	<p>MR08 (after 2013) and MR12 - 14-pin</p> 
<p style="text-align: center; color: red; font-weight: bold;">Adapter cabel necessary 10 >> 14-pin</p> 