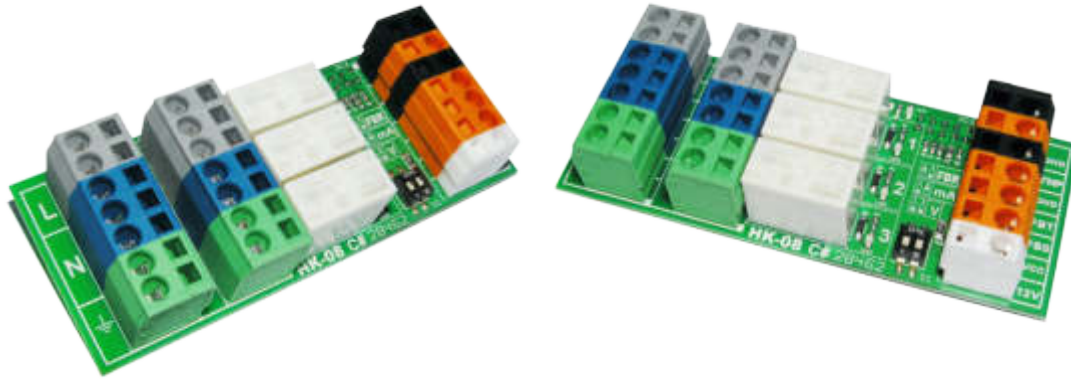


# Heating circuit module HK08

Heating circuit module (HK) 08 for the module controller MR06 / 07/08/12

Order number:	300.17408
Order code:	Heizkreismodul-HK08 STANDARD



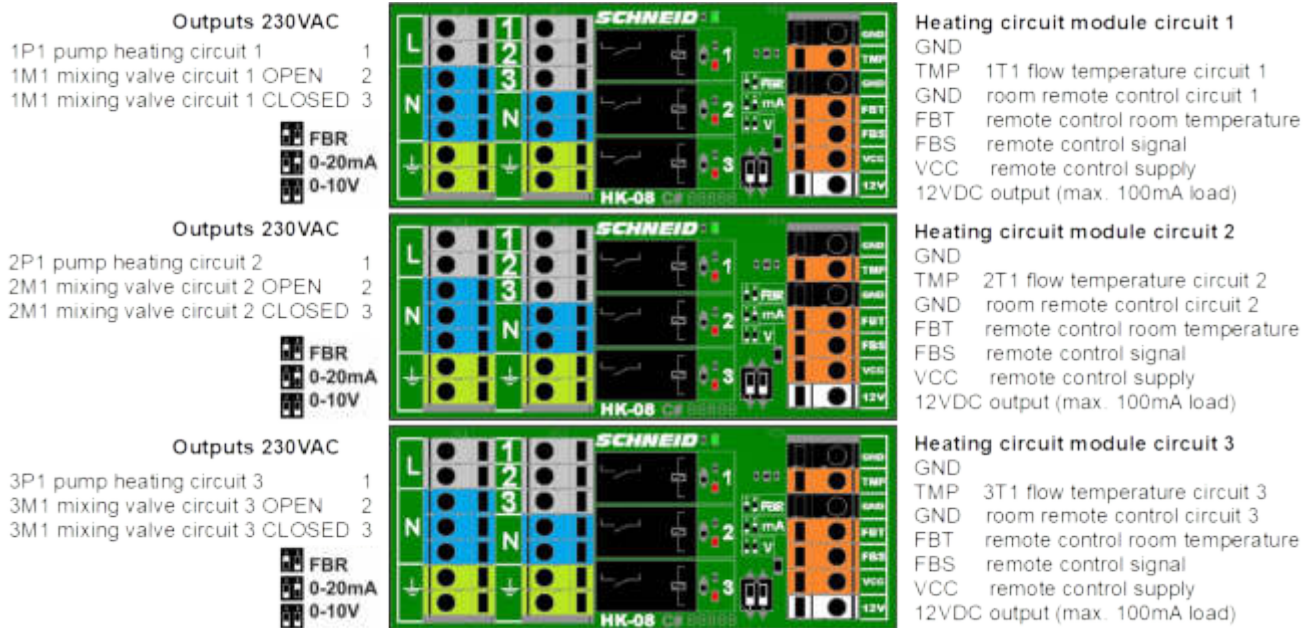
## Overview:

The SCHNEID heating circuit module-HK08 STANDARD is used to connect to a SCHNEID basic module controller. With this module a complete mixer heating circuit including remote control connection possibility can be realized.

## The following inputs and outputs are available:

- Three-point output heating circuit mixer
- Two-point output heating circuit pump
- Flow temperature sensor
- Remote control with built-in room sensor
- LED display for pump and mixer status

## Connection diagram:



# Heating circuit module HK08

## Connections 230V:

L	connection 230VAC
L	additional connection 230VAC (continuation to further module)
1	output heating circuit pump
2	output heating circuit mixer OPEN
3	heating circuit mixer CLOSE output
N	neutral conductor
PE	

## Signal connections:

GND	Signalground
TMP	Heating circuit flow temperature sensor

GND	Signalground
FBT	Room temperature sensor
FBS	Remote control signal line
VCC	Remote control supply line
12VDC	output (load max. 100mA)

## Scope of delivery:

SCHNEID heating circuit module-HK08 STANDARD including ribbon cable 10-pin, 800mm standard length

## Technical specifications:

Intrastat Number	8537.10.91.90
Country of origin	EU/AT
Height, width, depth (in mm)	40x100x24
Weight in (kg)	0,067
Degree of protection	IP-20
Ambient temperature	0°C....+40°C
Operating voltage	12VDC
Power consumption	< 1VA
Max. Nominal current per output	2A continuous current // max. 15A inrush current
Relay output life	50 x 10 <sup>3</sup> switching cycles
Connection type	Fixed wiring terminals
Connection technology	Spring clamp
Cable cross section	Max. 2.5mm <sup>2</sup>
Mounting type	DIN-RAIL TS35
Operating time	Continuous operation
Degree of pollution	2
Rated impulse voltage	1kV
Sensor type temperature sensor	PT1000