

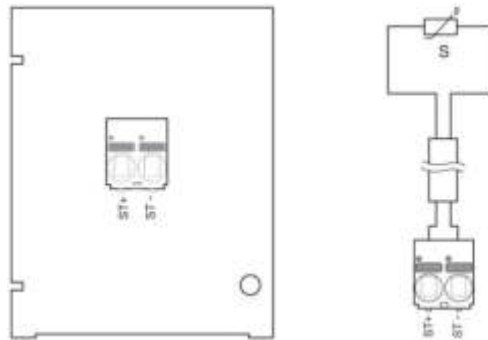
Channel-immersion temperature sensor

Safety instructions:

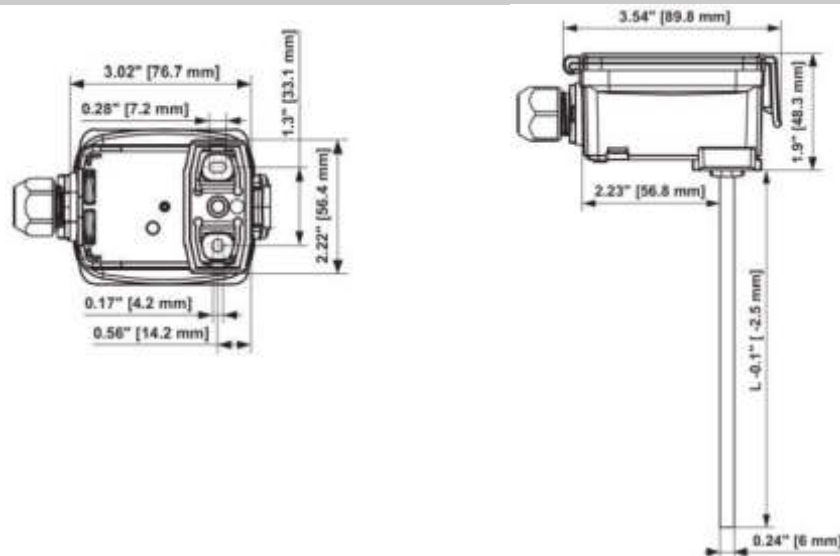
This device is designed for use in stationary heating, ventilation and air conditioning systems and must not be used for applications outside the specified area of application. Unauthorized modifications are prohibited. The device must not be used in combination with other equipment that can injure people, animals or property in the event of a malfunction.

It must be ensured that the power supply is not connected when the device is installed. Do not connect to running devices. The installation must be carried out by authorized specialist personnel. The legal and official regulations must be observed. The device contains electrical and electronic components and must not be disposed of as domestic waste. The local and currently valid legislation must be observed.

Connection diagram:



Dimensions:



Scope of delivery:

Channel immersion temperature sensor (in the ordered length); Mounting clip, with screws and adhesive film