

MR12 AIN additional board

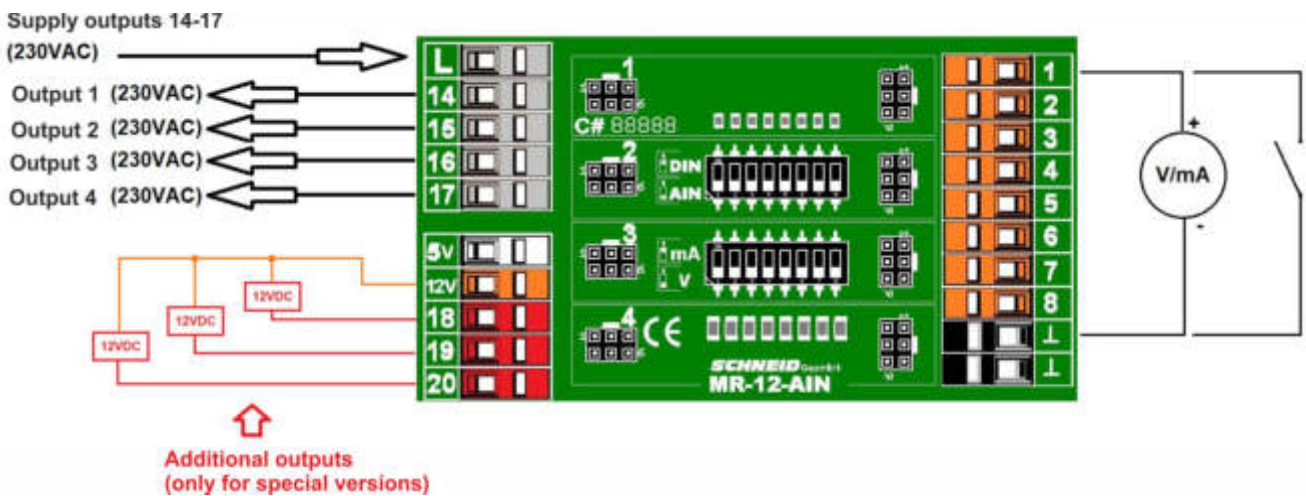
Signal connections:

Connections inputs (right side)

- 1 - Input 1 (digital, 0-10V or 0-20mA depending on the configuration) ext. Setpoint specification HK1
- 2 - Input 2 (digital, 0-10V or 0-20mA depending on the configuration) ext. Setpoint specification HK2
- 3 - Input 3 (digital, 0-10V or 0-20mA depending on the configuration) ext. Setpoint specification HK3
- 4 - Input 4 (digital, 0-10V or 0-20mA depending on the configuration)
- 5 - Input 5 (digital, 0-10V or 0-20mA depending on the configuration)
- 6 - Input 6 (digital, 0-10V or 0-20mA depending on the configuration)
- 7 - Input 7 (digital, 0-10V or 0-20mA depending on the configuration)
- 8 - input 8 (digital, 0-10V or 0-20mA depending on configuration)

GND-Signalground

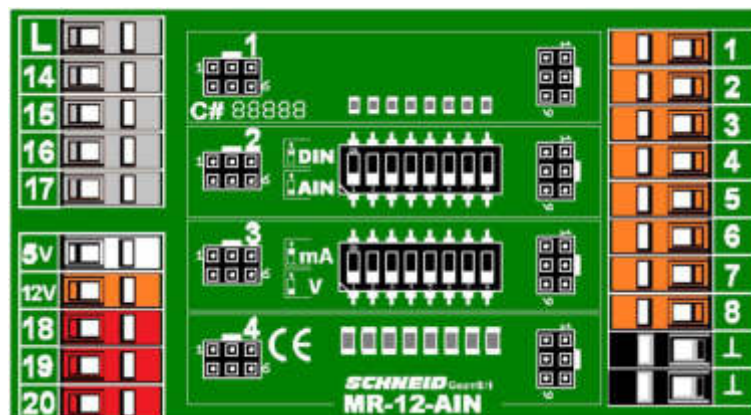
GND-Signalground



Output connections (left side)

- L - infeed plug-in modules (230VAC)
- 14 - Output module slot 1 (230VAC)
- 15 - Output module slot 2 (230VAC)
- 16 - Output module position 3 (230VAC)
- 17 - Output module slot 4 (230VAC)

- +5 - output terminal 5 VDC (max 200mA)
- +12 - output terminal 12VDC (max 200mA)
- 18 - D-Out LWG (switching output 12V)
- 19 - D-Out RESET (switching output 12V)
- 20 - D-Out RES (switching output 12V)

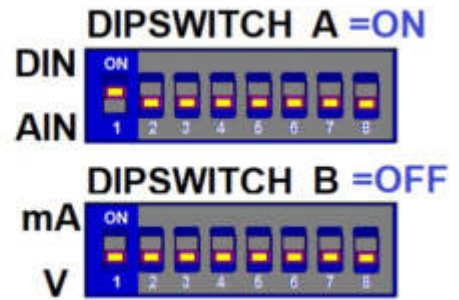
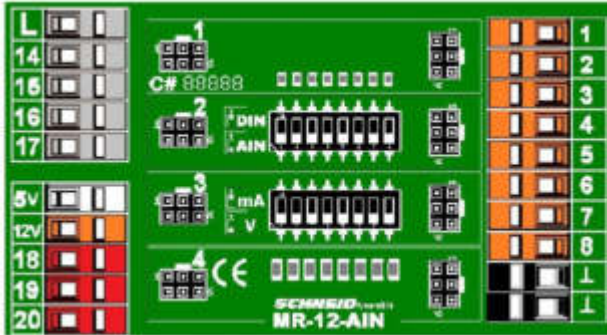


MR12 AIN additional board

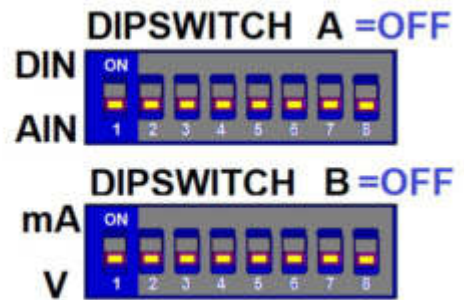
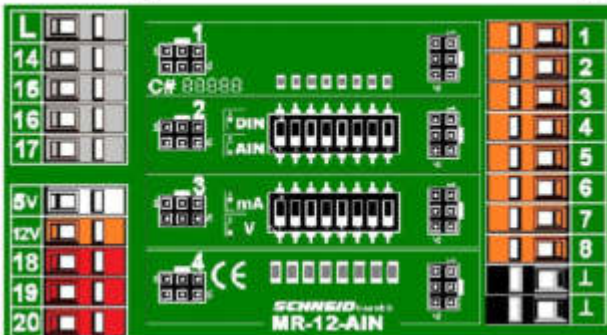
Configuration:

There is one pair of configuration switches for each signal input (1-8).
The following graphic only refers to the first input.
Switch pairs 2-8 must be used for the other inputs.

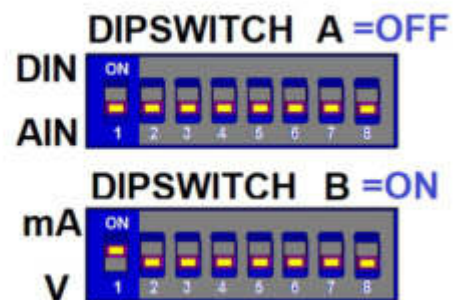
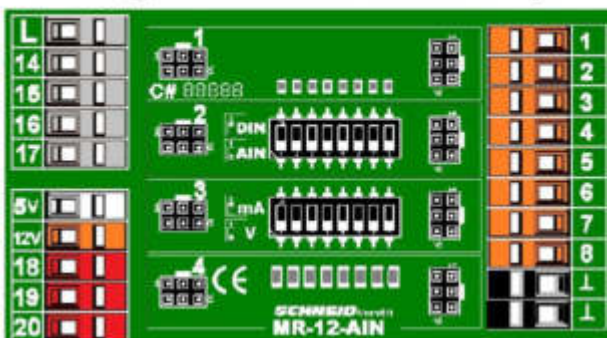
Configuration as digital input



Configuration as 0-10V input



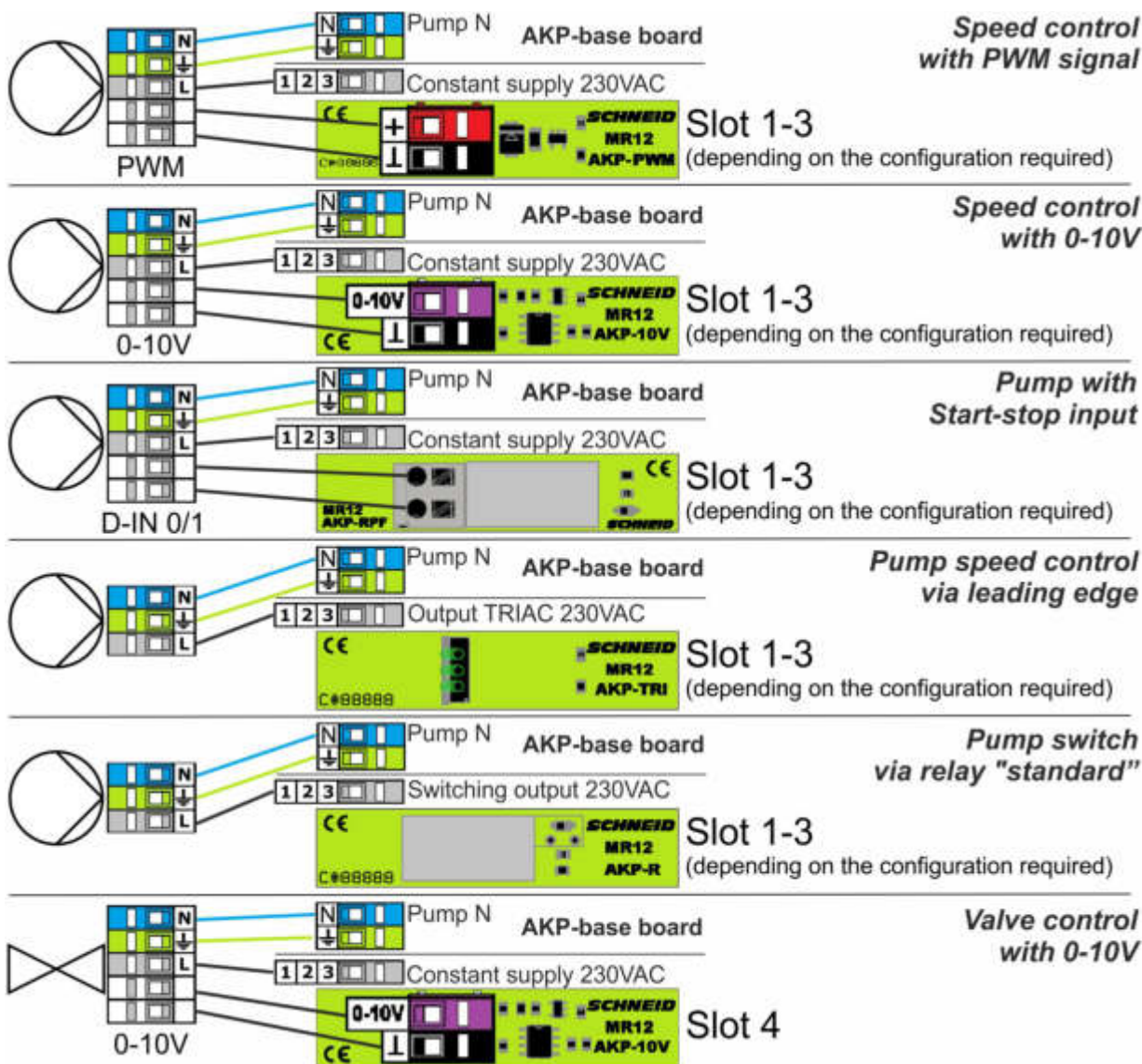
Configuration as mA input



Scope of delivery:

SCHNEID MR12 AIN additional board with 8 analog inputs 0-10V or 0-20mA and ribbon cable 800mm.
- WITHOUT plug-in modules - depending on the desired function, these have to be selected yourself.

MR12 AIN additional board



Technical specifications:

Intrastat number:	8537.10.91.90
Country of origin	EU/AT
Height, width, depth (in mm)	55x100x24
Weight (in kg)	0.108 (incl.cable 800mm)
Protection class	IP00
Ambient temperature	0°C....+40°C
Operating voltage	12VDC
Power consumption	< 0,1W
Connection type	Fixed wiring terminals