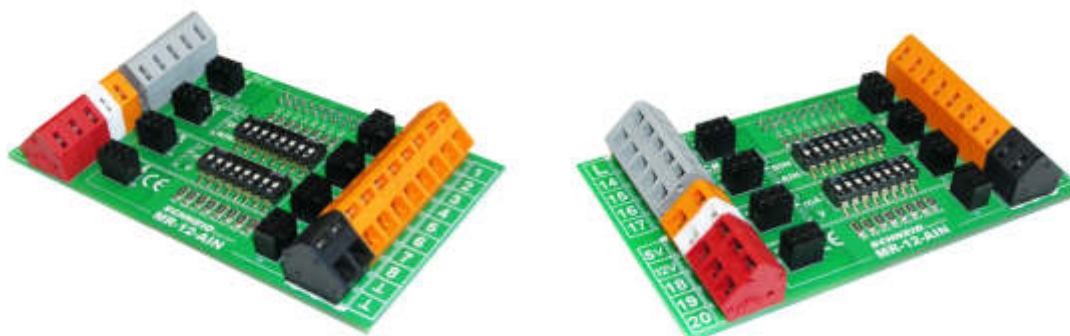


MR12 AIN additional board

SCHNEID MR12 AIN additional board

Expansion board with 8 analog inputs 0-10V or 0-20mA

Order number:	190.16905
Order code:	MR12 AIN-Zusatzplatine

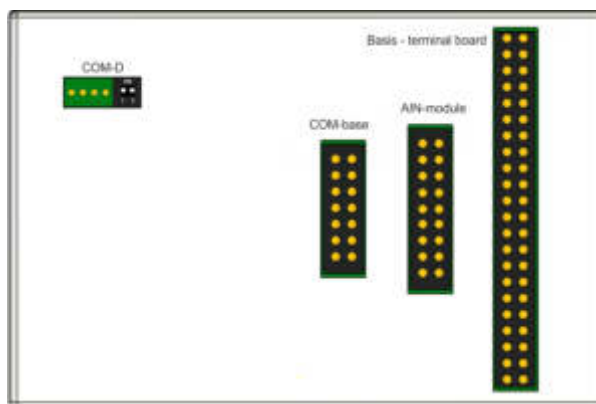


Overview:

The add-on module extends the module controller MR08 / MR12 by analog and digital inputs and outputs.

Use cases:

- Detection of supply and return pressure in heating systems
- External setpoint specification via 0-10V signal (the 10V value can be calibrated on the temperature side in the controller)
- External request (setpoint adjustable by parameter)
- Speed output for pumps or valve control
- By using different plug-in modules, the following output signals are possible:
 - Relay output 230V
 - Relay output floating
 - TRIAC output
 - PWM signal
 - 0-10V
- Leak warning systems



The AIN module is connected directly to the back of the controller using a ribbon cable.

Terminal plan:

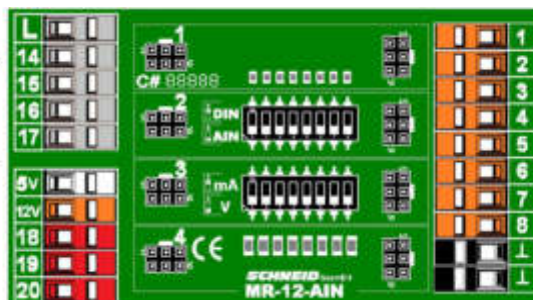
GND Signalground

- Terminal 14: AOUT 1 District heating valve
- Terminal 15: AOUT 2 Base C / Circuit 1
- Terminal 16: AOUT 3 Base D / Circuit 2
- Terminal 17: AOUT 4 Circuit 3

VCC +5V: Supply 5V

VCC +12V: Supply 12V

- Terminal 18: DOUT 1 Leak warning
- Terminal 19: DOUT 2 RESET
- Terminal 20: DOUT 3 Reserve



- Terminal 1: AIN 1 0-10V Circuit1
- Terminal 2: AIN 2 0-10V Circuit 2
- Terminal 3: AIN 3 0-10V Circuit 3
- Terminal 4: IN 4
- Terminal 5: IN 5
- Terminal 6: IN 6
- Terminal 7: IN 7
- Terminal 8: IN 8

MR12 AIN additional board

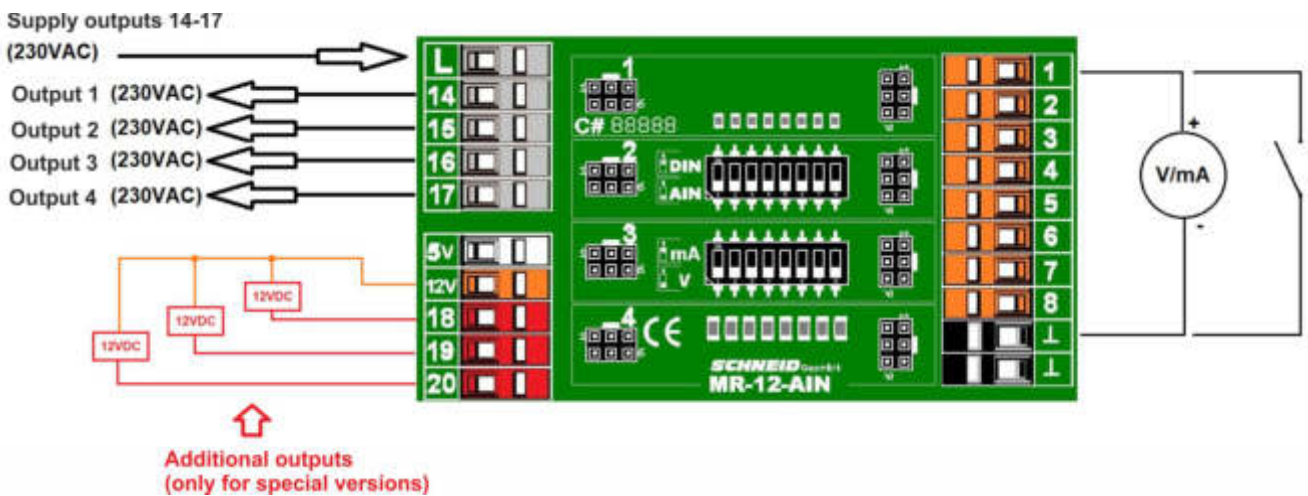
Signal connections:

Connections inputs (right side)

- 1 - Input 1 (digital, 0-10V or 0-20mA depending on the configuration) ext. Setpoint specification HK1
- 2 - Input 2 (digital, 0-10V or 0-20mA depending on the configuration) ext. Setpoint specification HK2
- 3 - Input 3 (digital, 0-10V or 0-20mA depending on the configuration) ext. Setpoint specification HK3
- 4 - Input 4 (digital, 0-10V or 0-20mA depending on the configuration)
- 5 - Input 5 (digital, 0-10V or 0-20mA depending on the configuration)
- 6 - Input 6 (digital, 0-10V or 0-20mA depending on the configuration)
- 7 - Input 7 (digital, 0-10V or 0-20mA depending on the configuration)
- 8 - input 8 (digital, 0-10V or 0-20mA depending on configuration)

GND-Signalground

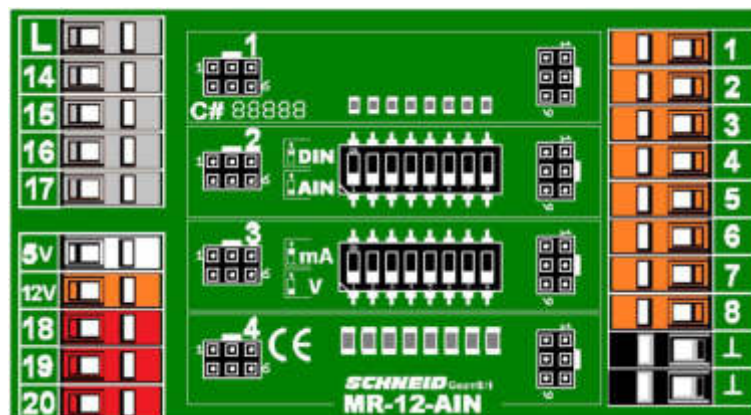
GND-Signalground



Output connections (left side)

- L - infeed plug-in modules (230VAC)
- 14 - Output module slot 1 (230VAC)
- 15 - Output module slot 2 (230VAC)
- 16 - Output module position 3 (230VAC)
- 17 - Output module slot 4 (230VAC)

- +5 - output terminal 5 VDC (max 200mA)
- +12 - output terminal 12VDC (max 200mA)
- 18 - D-Out LWG (switching output 12V)
- 19 - D-Out RESET (switching output 12V)
- 20 - D-Out RES (switching output 12V)

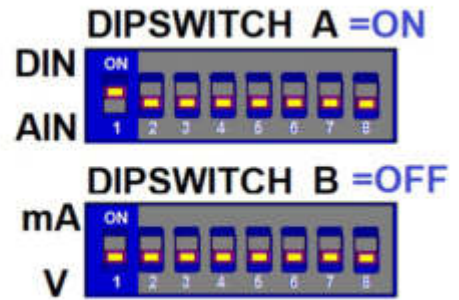
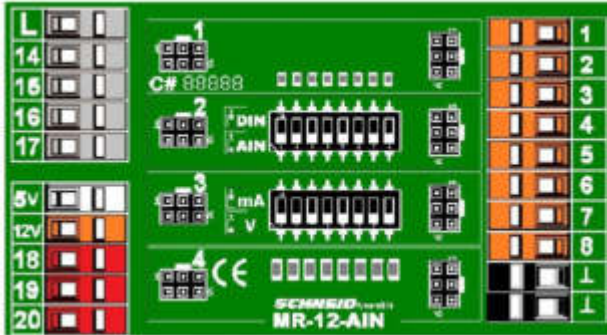


MR12 AIN additional board

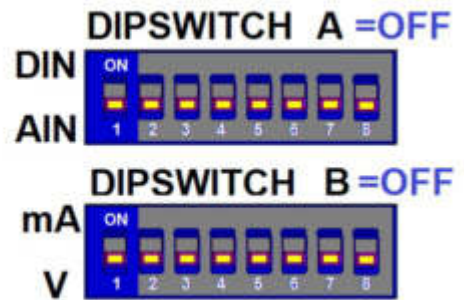
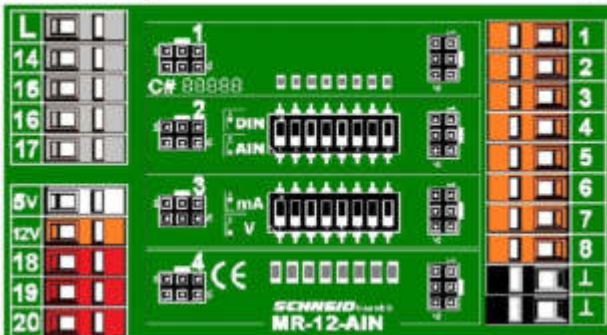
Configuration:

There is one pair of configuration switches for each signal input (1-8).
The following graphic only refers to the first input.
Switch pairs 2-8 must be used for the other inputs.

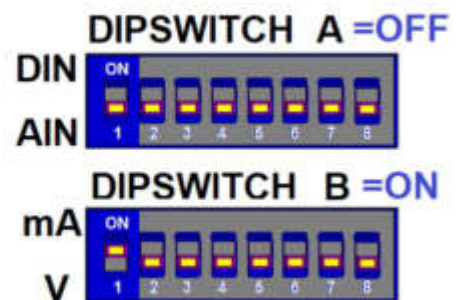
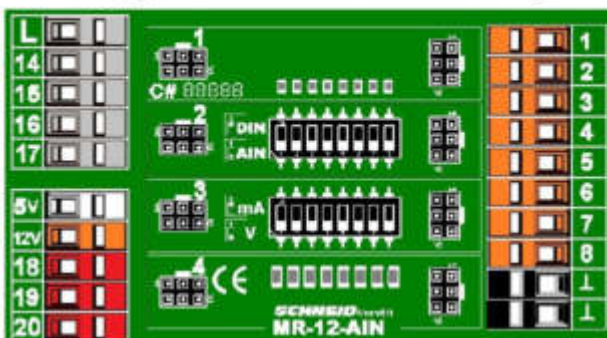
Configuration as digital input



Configuration as 0-10V input



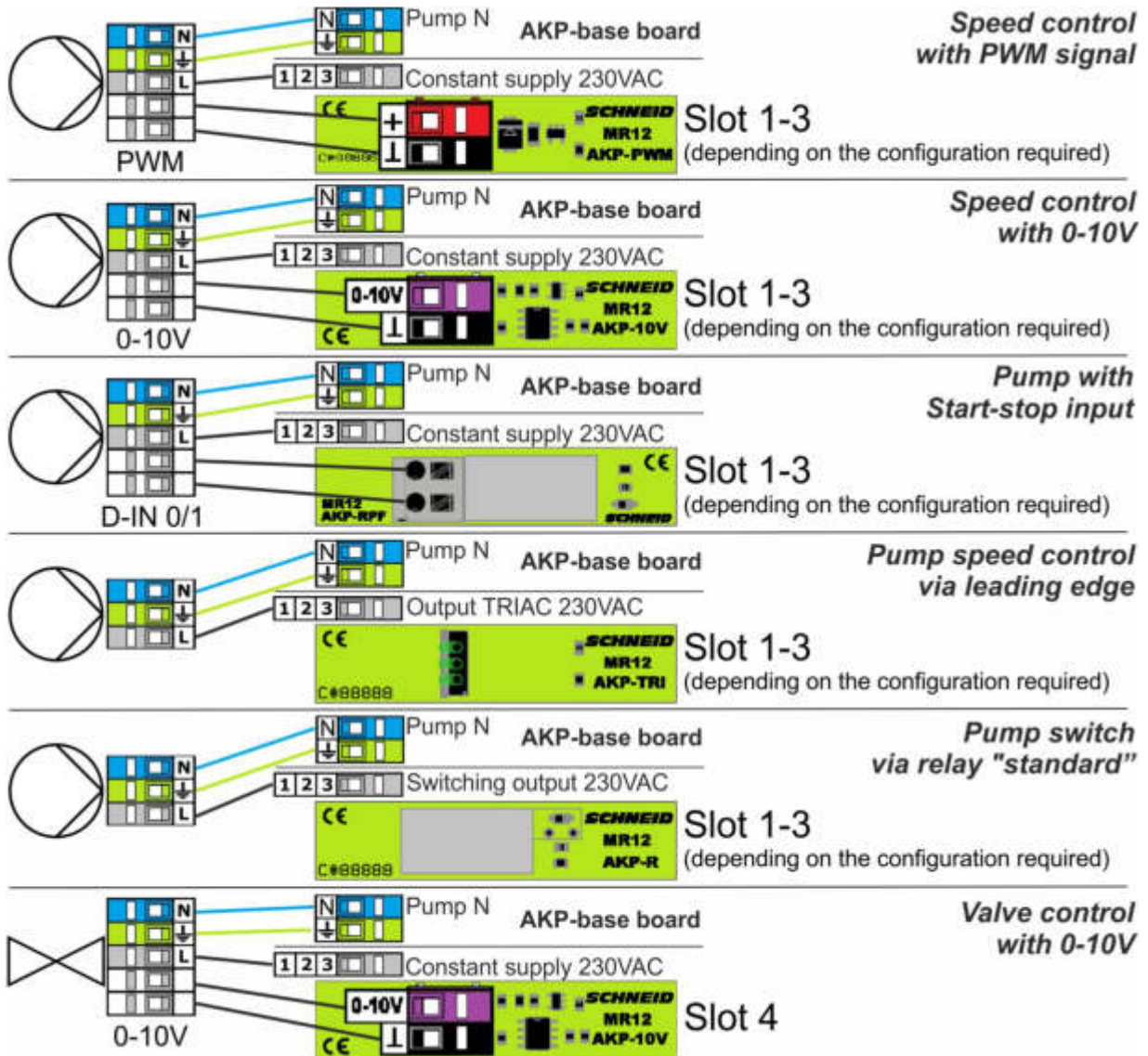
Configuration as mA input



Scope of delivery:

SCHNEID MR12 AIN additional board with 8 analog inputs 0-10V or 0-20mA and ribbon cable 800mm.
- WITHOUT plug-in modules - depending on the desired function, these have to be selected yourself.

MR12 AIN additional board



Technical specifications:

Intrastat number:	8537.10.91.90
Country of origin	EU/AT
Height, width, depth (in mm)	55x100x24
Weight (in kg)	0.108 (incl.cable 800mm)
Protection class	IP00
Ambient temperature	0°C....+40°C
Operating voltage	12VDC
Power consumption	< 0,1W
Connection type	Fixed wiring terminals