

MR12 AIN additional board



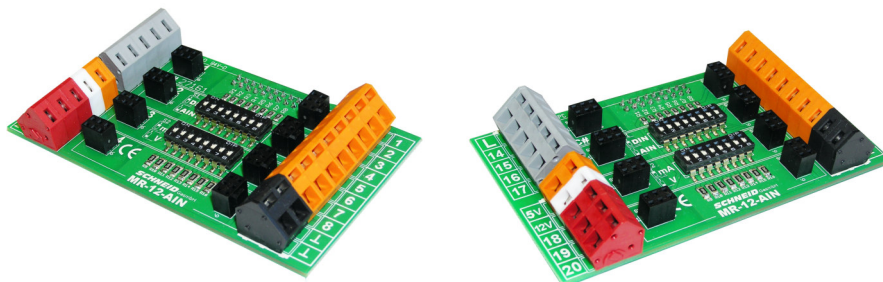
Schneid GesmbH | Gewerbering 16 | A-8054 | Graz/Pirka | Tel: +43 (316) 285022

Products, data sheets, documentation, MR12-SCHEMA-calculator: www.schneid.at

SCHNEID MR12 AIN additional board

Expansion board with 8 analog inputs 0-10V or 0-20mA

Order number:	190.16905
Order code:	MR12 AIN-Zusatzplatine

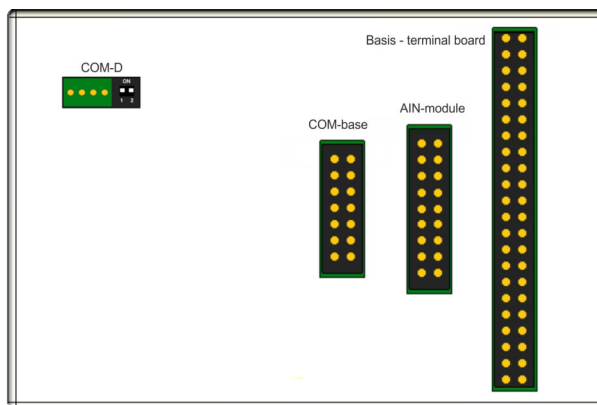


Overview:

The add-on module extends the module controller MR08 / MR12 by analog and digital inputs and outputs.

Use cases:

- Detection of supply and return pressure in heating systems
- External setpoint specification via 0-10V signal (the 10V value can be calibrated on the temperature side in the controller)
- External request (setpoint adjustable by parameter)
- Speed output for pumps or valve control
By using different plug-in modules, the following output signals are possible:
 - Relay output 230V
 - Relay output floating
 - TRIAC output
 - PWM signal
 - 0-10V
- Leak warning systems



The AIN module is connected directly to the back of the controller using a ribbon cable.

Terminal plan:

GND Signalground

Terminal 14: **AOUT 1** District heating valve
Terminal 15: **AOUT 2** Base C / Circuit 1
Terminal 16: **AOUT 3** Base D / Circuit 2
Terminal 17: **AOUT 4** Circuit 3

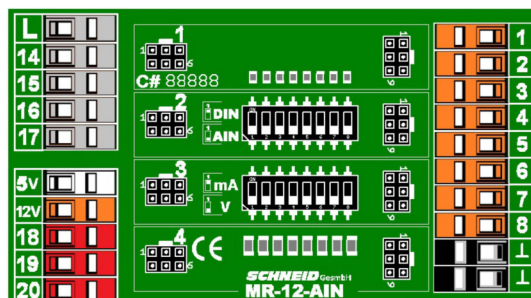
VCC +5V: Supply 5V

VCC +12V: Supply 12V

Terminal 18: **DOUT 1** Leak warning

Terminal 19: **DOUT 2** RESET

Terminal 20: **DOUT 3** Reserve



Terminal 1: **AIN 1** 0-10V Circuit1
Terminal 2: **AIN 2** 0-10V Circuit 2
Terminal 3: **AIN 3** 0-10V Circuit 3
Terminal 4: **IN 4**
Terminal 5: **IN 5**
Terminal 6: **IN 6**
Terminal 7: **IN 7**
Terminal 8: **IN 8**

MR12 AIN additional board

Signal connections:

Connections inputs (right side)

- 1 - Input 1 (digital, 0-10V or 0-20mA depending on the configuration) ext. Setpoint specification HK1
- 2 - Input 2 (digital, 0-10V or 0-20mA depending on the configuration) ext. Setpoint specification HK2
- 3 - Input 3 (digital, 0-10V or 0-20mA depending on the configuration) ext. Setpoint specification HK3
- 4 - Input 4 (digital, 0-10V or 0-20mA depending on the configuration)
- 5 - Input 5 (digital, 0-10V or 0-20mA depending on the configuration)
- 6 - Input 6 (digital, 0-10V or 0-20mA depending on the configuration)
- 7 - Input 7 (digital, 0-10V or 0-20mA depending on the configuration)
- 8 - input 8 (digital, 0-10V or 0-20mA depending on configuration)

GND-Signalground

GND-Signalground

Supply outputs 14-17

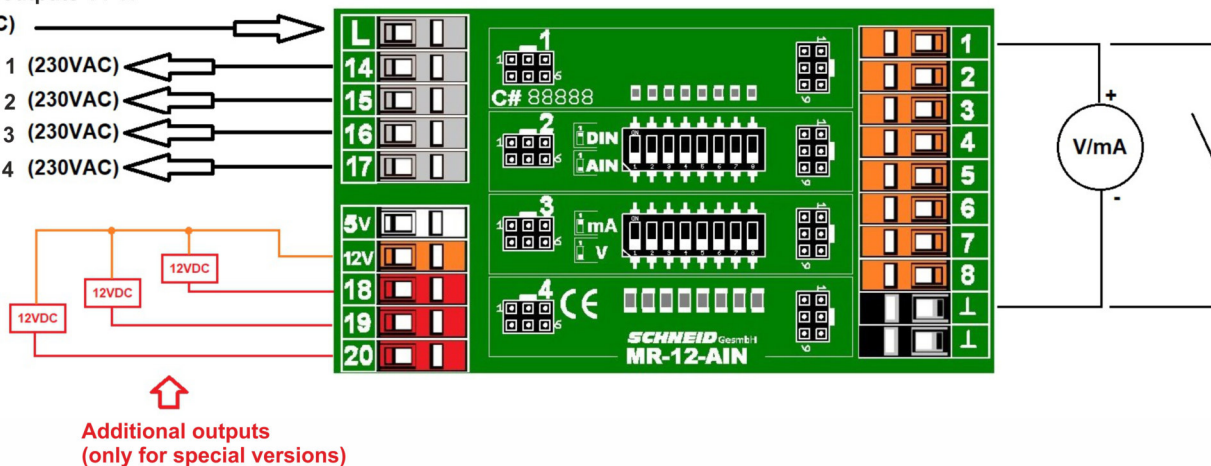
(230VAC)

Output 1 (230VAC)

Output 2 (230VAC)

Output 3 (230VAC)

Output 4 (230VAC)



Output connections (left side)

L - infeed plug-in modules (230VAC)

14 - Output module slot 1 (230VAC)

15 - Output module slot 2 (230VAC)

16 - Output module position 3 (230VAC)

17 - Output module slot 4 (230VAC)

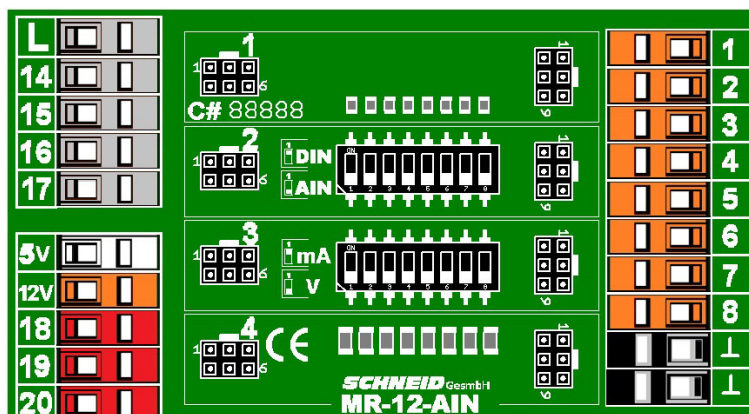
+5 - output terminal 5 VDC (max 200mA)

+12 - output terminal 12VDC (max 200mA)

18 - D-Out LWG (switching output 12V)

19 - D-Out RESET (switching output 12V)

20 - D-Out RES (switching output 12V)

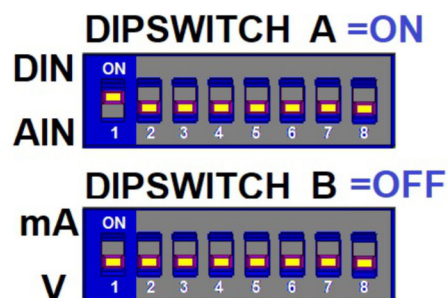
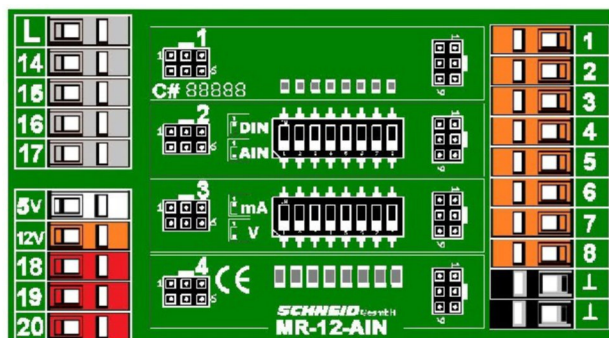


MR12 AIN additional board

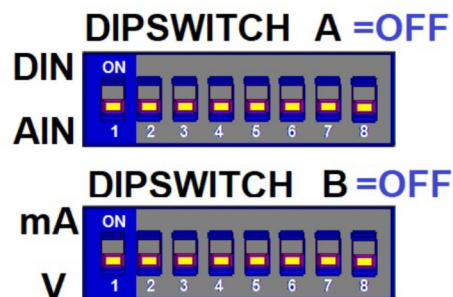
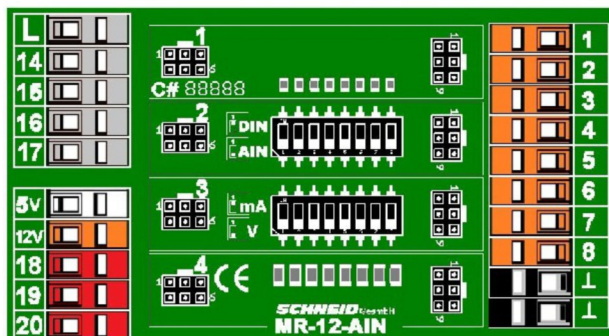
Configuration:

There is one pair of configuration switches for each signal input (1-8).
The following graphic only refers to the first input.
Switch pairs 2-8 must be used for the other inputs.

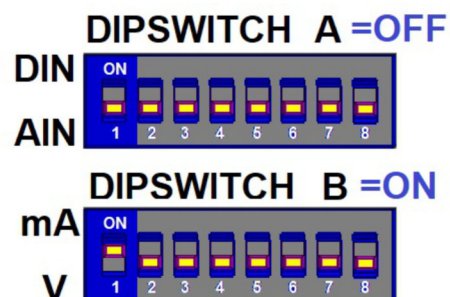
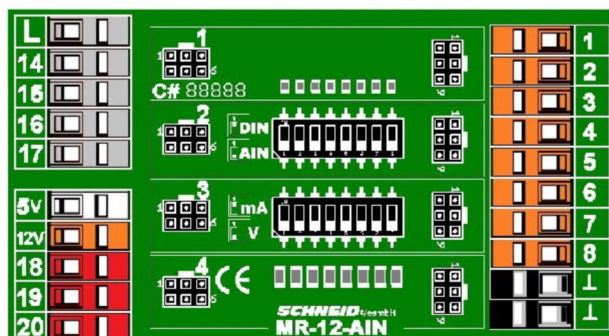
Configuration as digital input



Configuration as 0-10V input



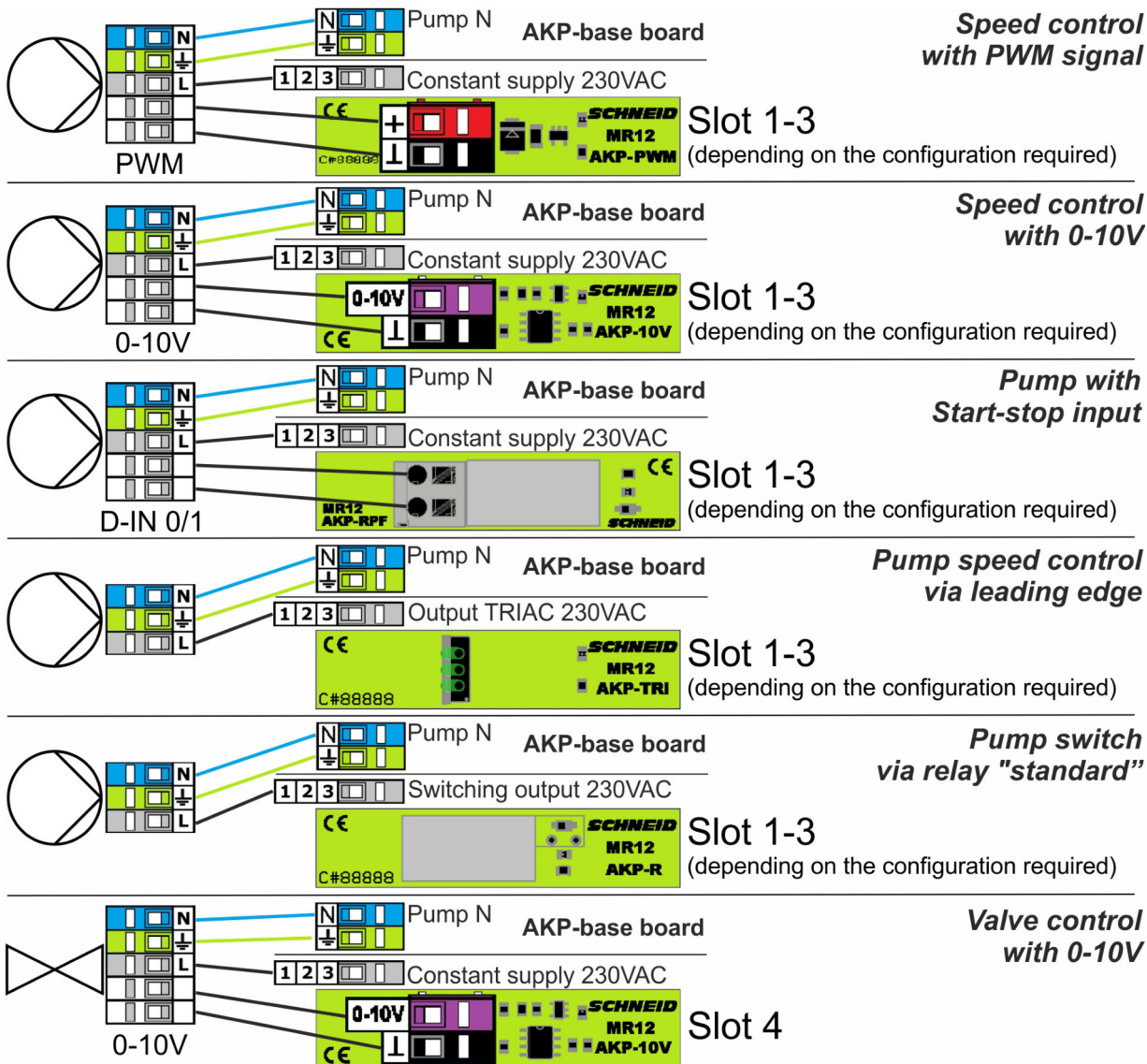
Configuration as mA input



Scope of delivery:

SCHNEIDER MR12 AIN additional board with 8 analog inputs 0-10V or 0-20mA and ribbon cable 800mm.
- WITHOUT plug-in modules - depending on the desired function, these have to be selected yourself.

MR12 AIN additional board



Technical specifications:

Intrastat number:	8537.10.91.90
Country of origin	EU/AT
Height, width, depth (in mm)	55x100x24
Weight (in kg)	0.108 (incl.cable 800mm)
Protection class	IP00
Ambient temperature	0°C....+40°C
Operating voltage	12VDC
Power consumption	< 0,1W
Connection type	Fixed wiring terminals