

## Variants:

### PCG-Gateway RS422-TCP

Order number : 020.16230  
Order code : PCG-Gateway RS422-TCP

### PCG-Gateway RS422-USB

Order number : 020.16234  
Order code: PCG-Gateway RS422-USB

### PCG-Gateway RS485-TCP

Order number : 020.16231  
Order code: PCG-Gateway RS485-TCP

### PCG-Gateway RS485-USB

Order number : 020.16232  
Order code: PCG-Gateway RS485-USB

### PCG-Gateway MBM80-TCP

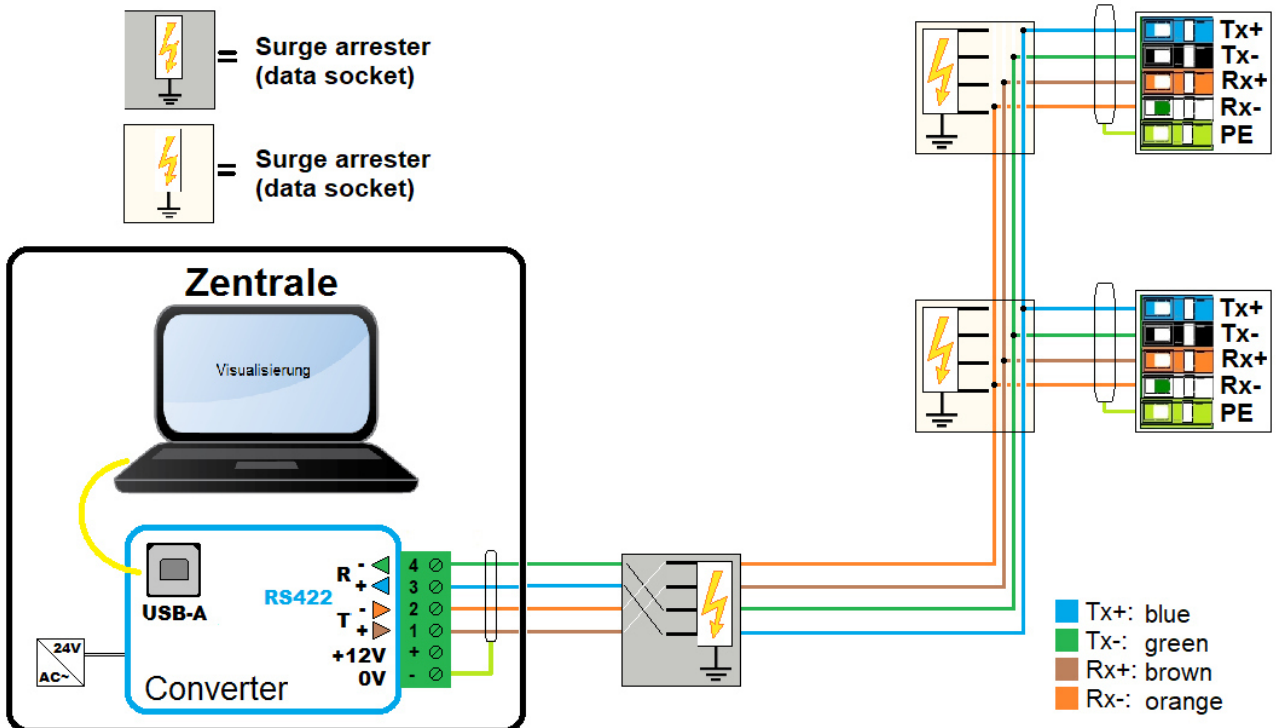
Order number : 020.17108  
Order code: PCG-Gateway MBM80-TCP

### PCG-Gateway MBM80-USB

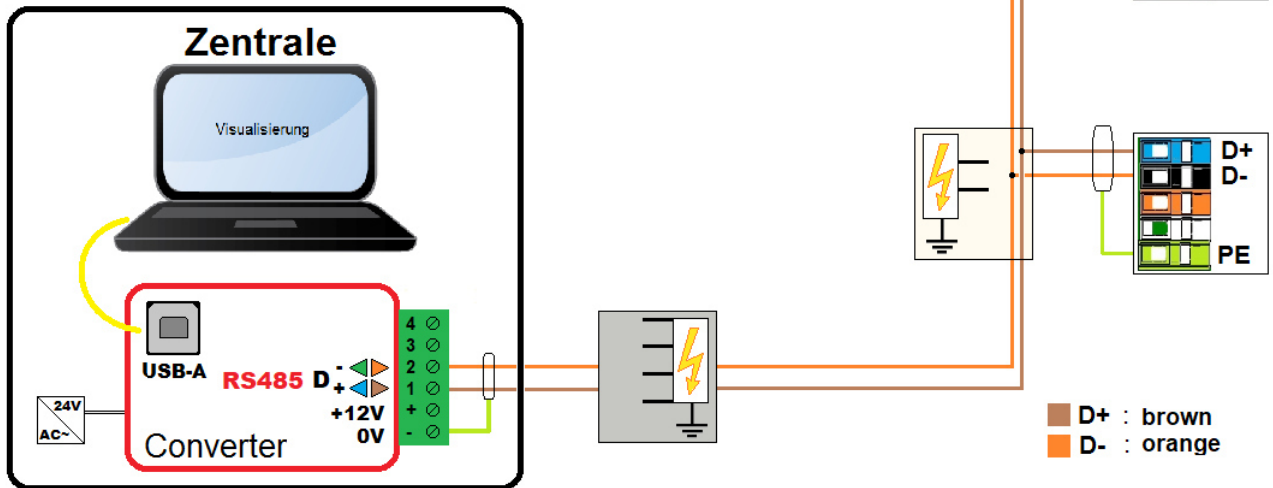
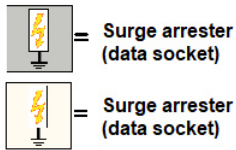
Order number : 020.17111  
Order code: PCG-Gateway MBM80-USB

## Application examples:

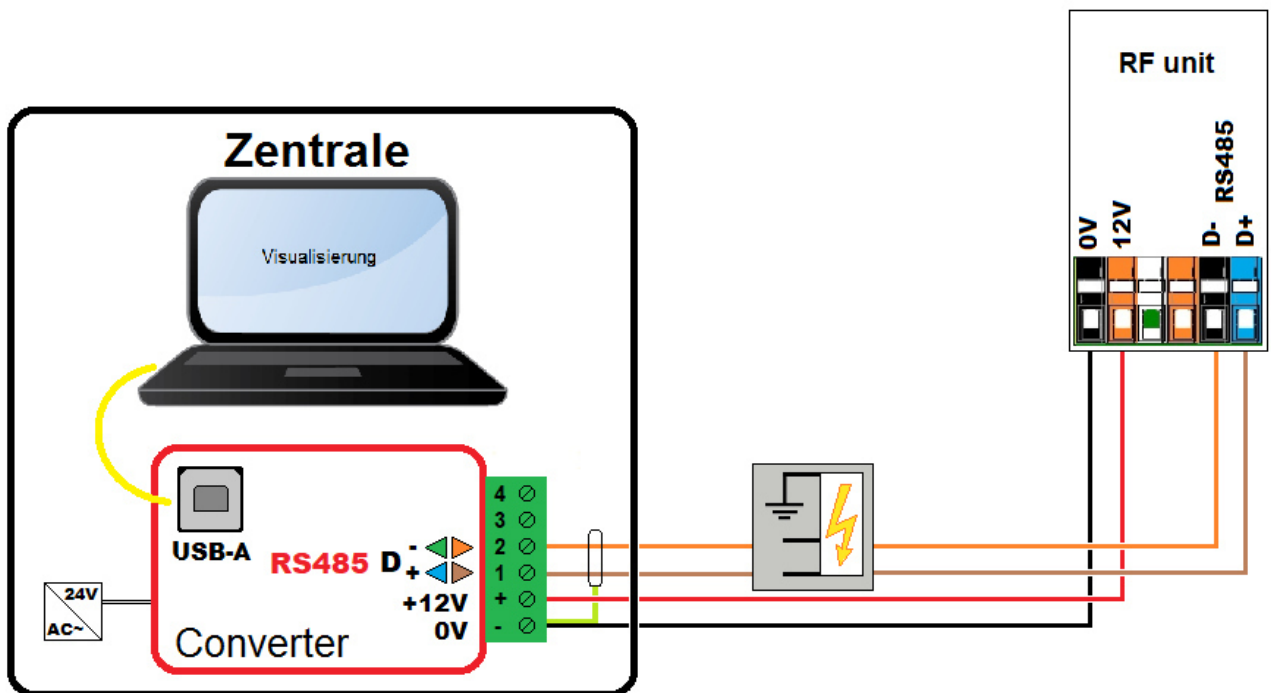
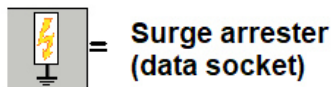
### USB-422



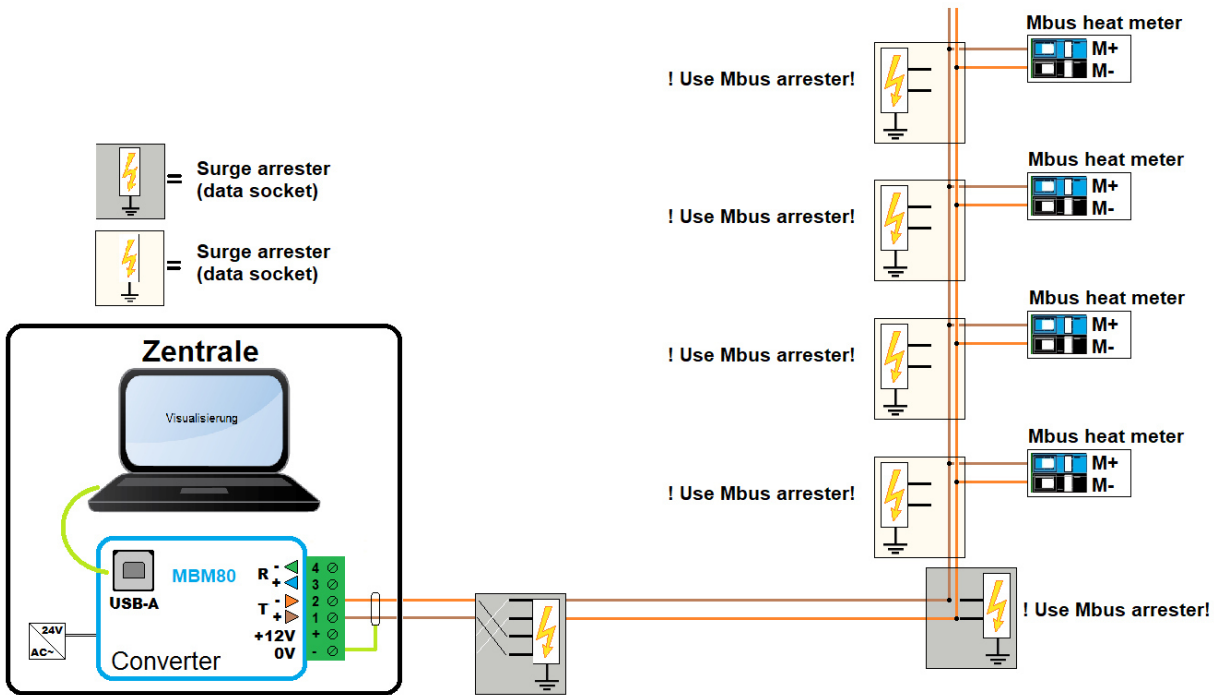
## USB-485



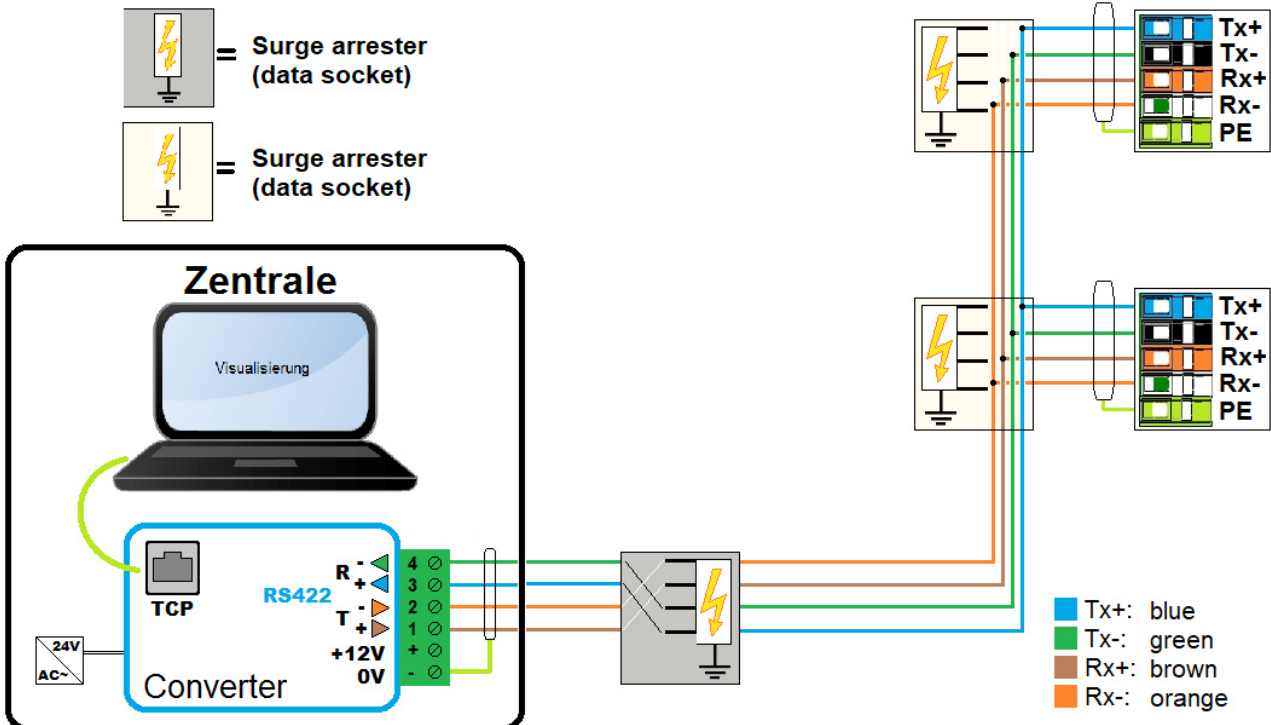
## USB-485-RF



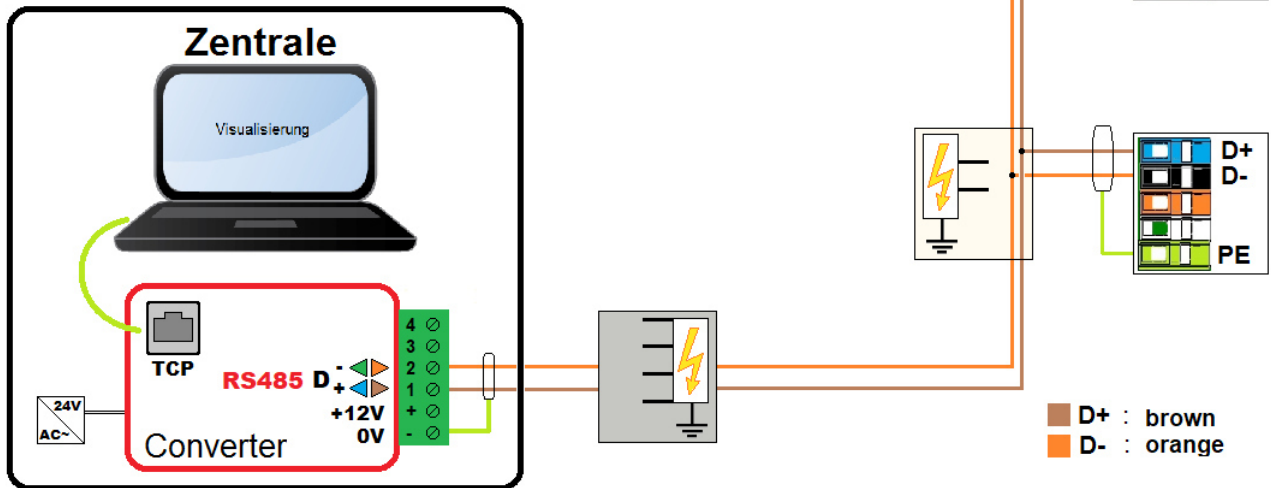
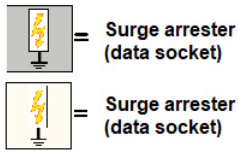
## USB-MBM80



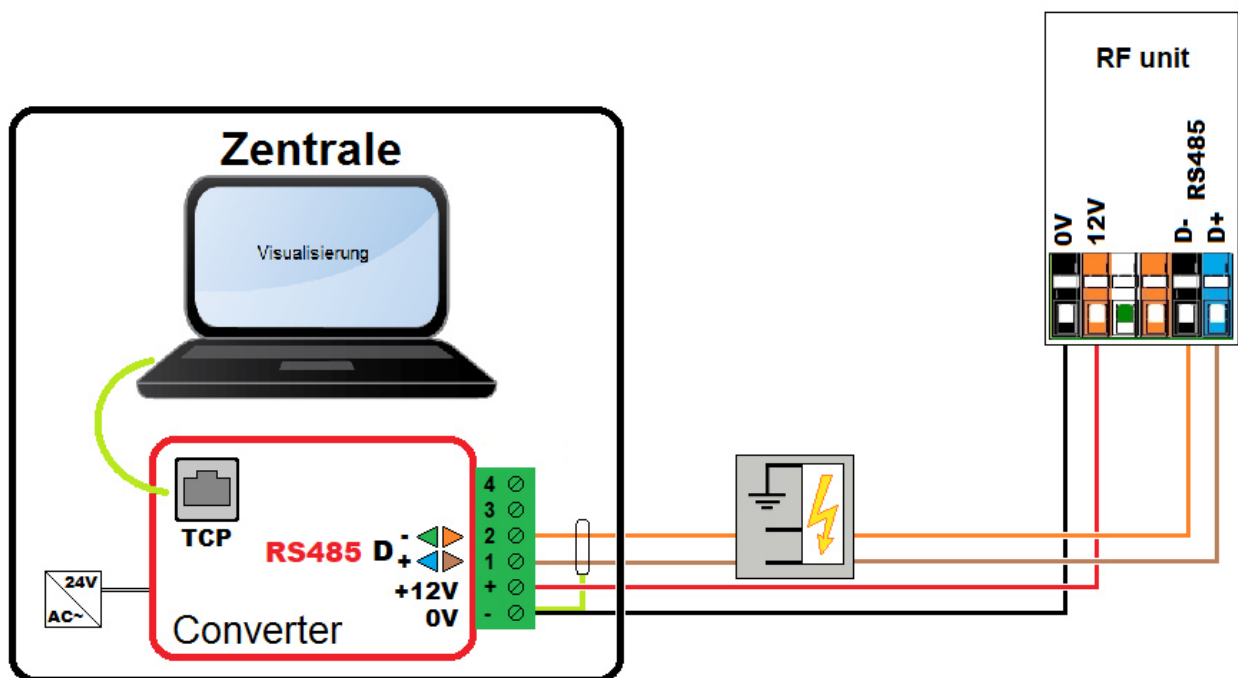
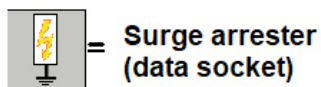
## TCP-422



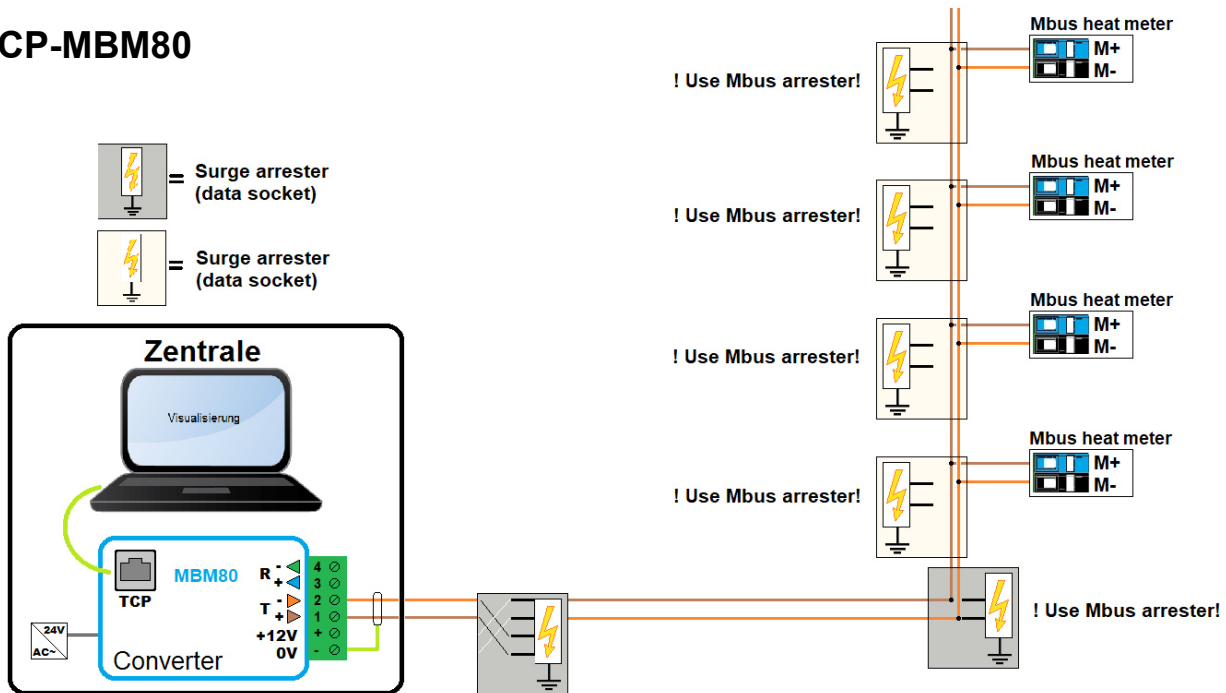
## TCP-485



## TCP-485-RF



## TCP-MBM80



### Technical specifications:

Intrastat Number:	8537.10.91.90
Country of origin	EU/AT
Height, width, depth (in mm)	Gateway 30x130x100 Power supply: 32x59x100 + 2 meter connection cable Connector plug: 14.5x25.3x45.6
Weight (in kg)	Gateway 422-TCP and 485-TCP: 0,173 Gateway 422-USB and 485-USB: 0,172 Gateway MBM80-USB and MBM80-USB: 0,182 Power adapter: 0,176 Connector plug : 0,010
Degree of protection	IP51
Ambient temperature	0°C .... +40°C
Operating voltage	24VDC via power adapter 230VAC
Power consumption	5VA
Voltage output	12VDC, max. 500mA
Connection type	plug
Connection technology	screw terminals
Cable cross-section	Max. 1.5mm <sup>2</sup>
Mounting type	Desktop standing device
Operating time	continuous operation
Degree of pollution	2
Rated surge voltage	1kV