



**SCHNEID PCG-Gateways RS422, RS485 or MBM80 to USB or TCP**  
in a housing, to connect the SCHNEID control device to the end device.

Order number:	020.xxxxx
Ordercode:	PCG-Gateway RSxxx-xxx



## Overview:

The SCHNEID PCG Gateway is used to connect the SCHNEID controllers to an end device (master computer, visualization computer, etc.).

Different physical interfaces are available for both sides.

For the connection to the computer (master computer), there is a version with a USB or Ethernet TCP interface. You can choose between RS422 (4-wire) RS485 (2-wire) or MbusMaster80 as the interface for the fieldbus (to the controllers).

The two interfaces are optically and galvanically isolated from each other to prevent damage to the master computer due to overvoltages on the fieldbus (data network). In addition, the module has a 12VDC output, which is used to supply Communication modules such as the wireless outdoor unit can be used.

## Scope of delivery:

- SCHNEID PCG gateway in a housing
- - 24V power supply
- - 6-pin connector plug with cable housing



## Variants:

### PCG-Gateway RS422-TCP

Order number : 020.16230  
Order code : PCG-Gateway RS422-TCP

### PCG-Gateway RS422-USB

Order number : 020.16234  
Order code: PCG-Gateway RS422-USB

### PCG-Gateway RS485-TCP

Order number : 020.16231  
Order code: PCG-Gateway RS485-TCP

### PCG-Gateway RS485-USB

Order number : 020.16232  
Order code: PCG-Gateway RS485-USB

### PCG-Gateway MBM80-TCP

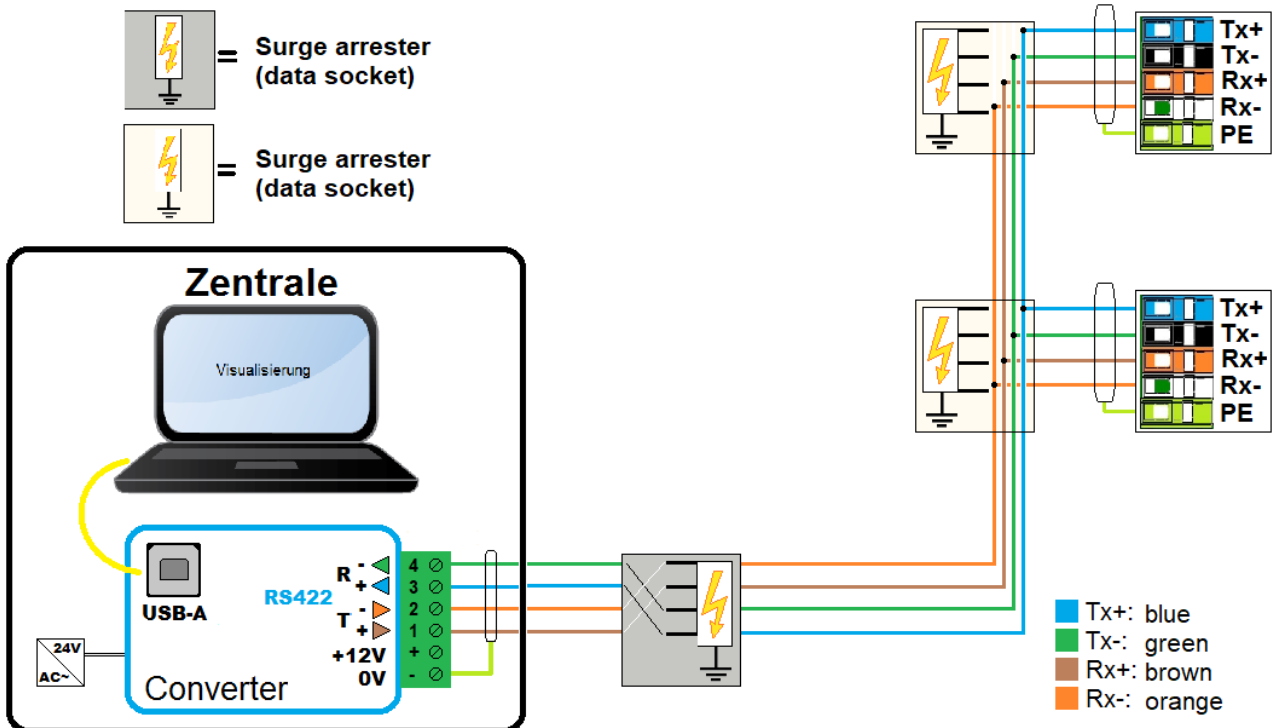
Order number : 020.17108  
Order code: PCG-Gateway MBM80-TCP

### PCG-Gateway MBM80-USB

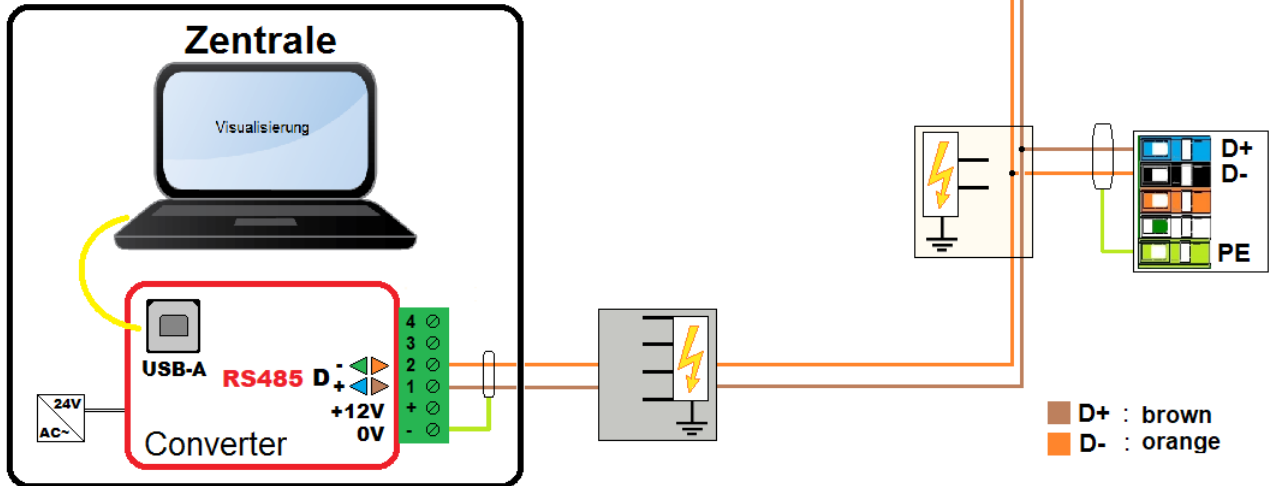
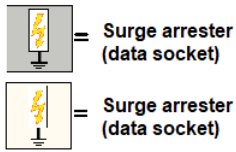
Order number : 020.17111  
Order code: PCG-Gateway MBM80-USB

## Application examples:

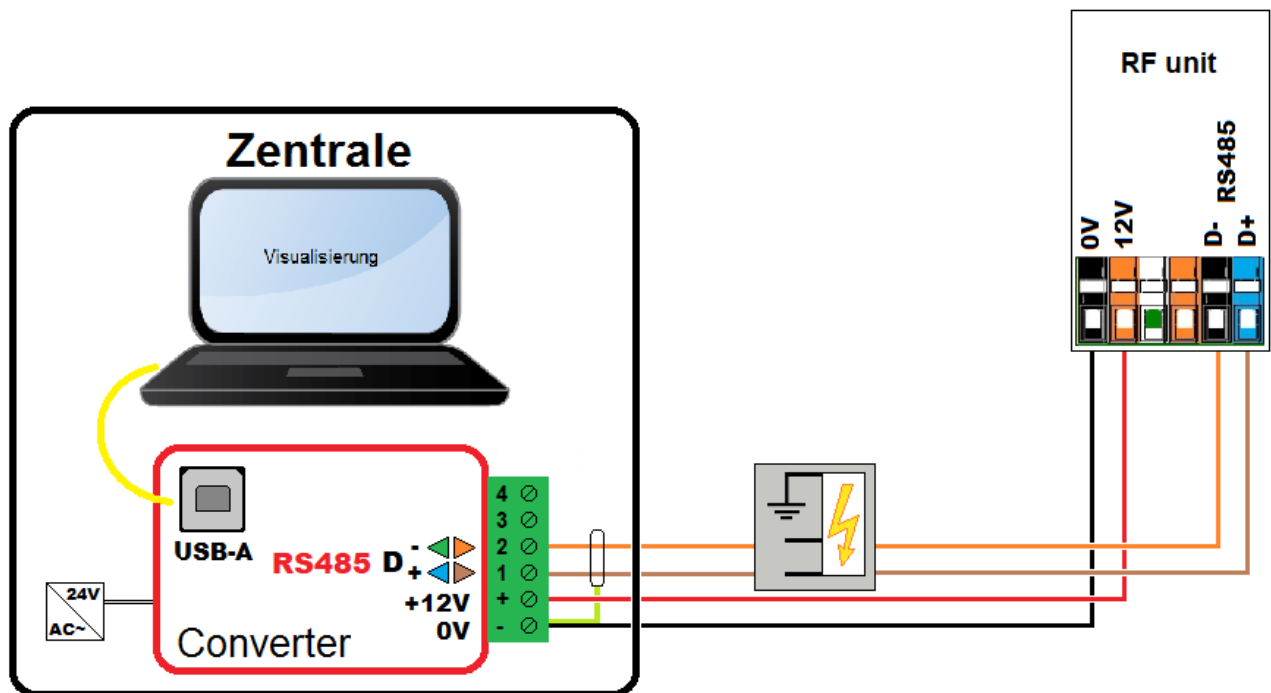
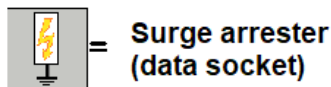
### USB-422



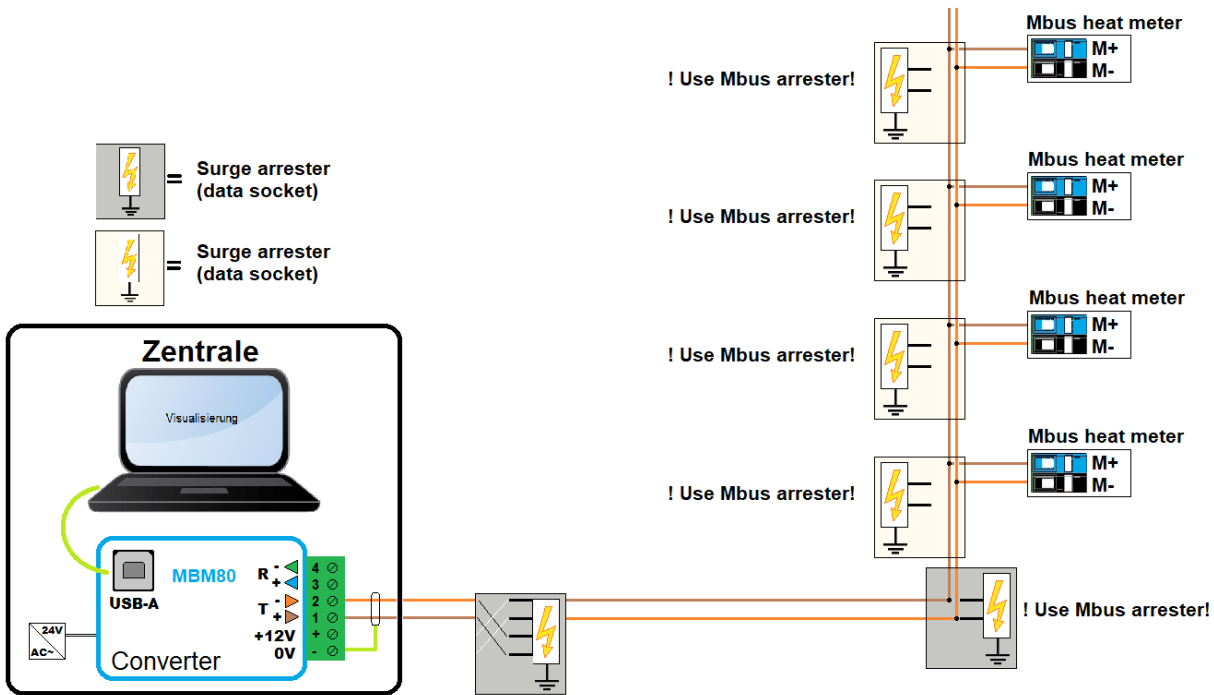
## USB-485



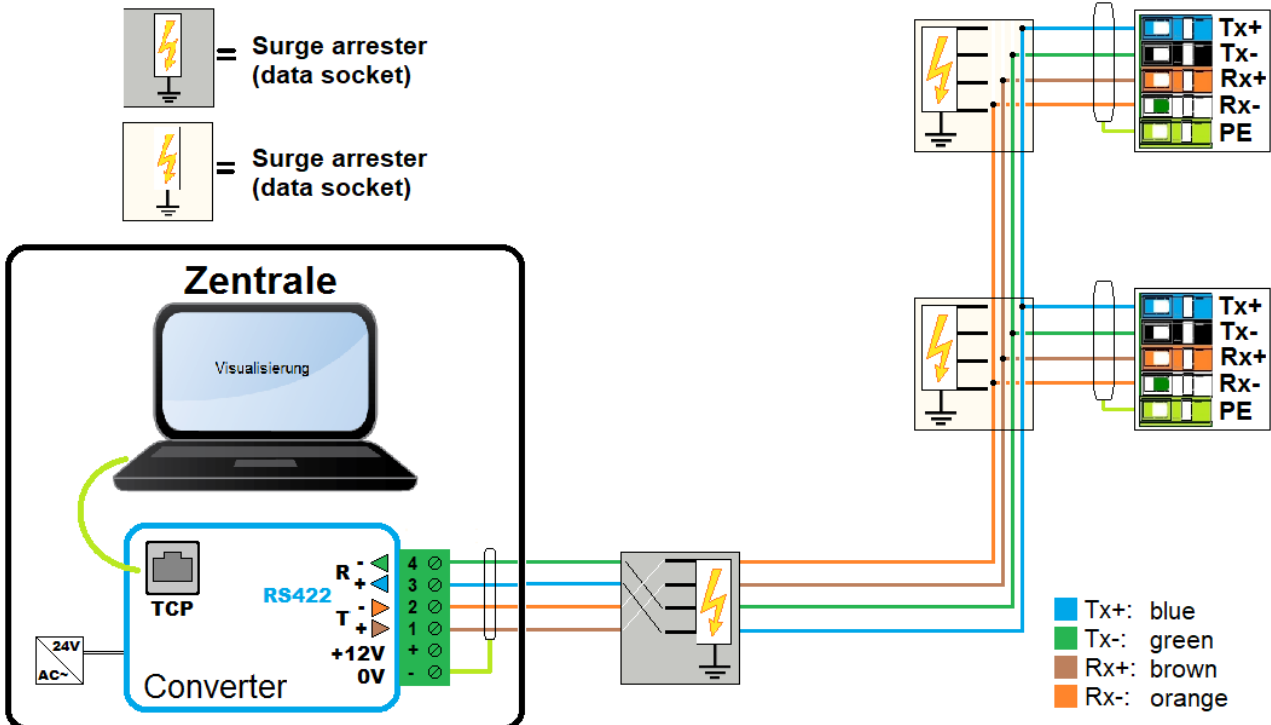
## USB-485-RF



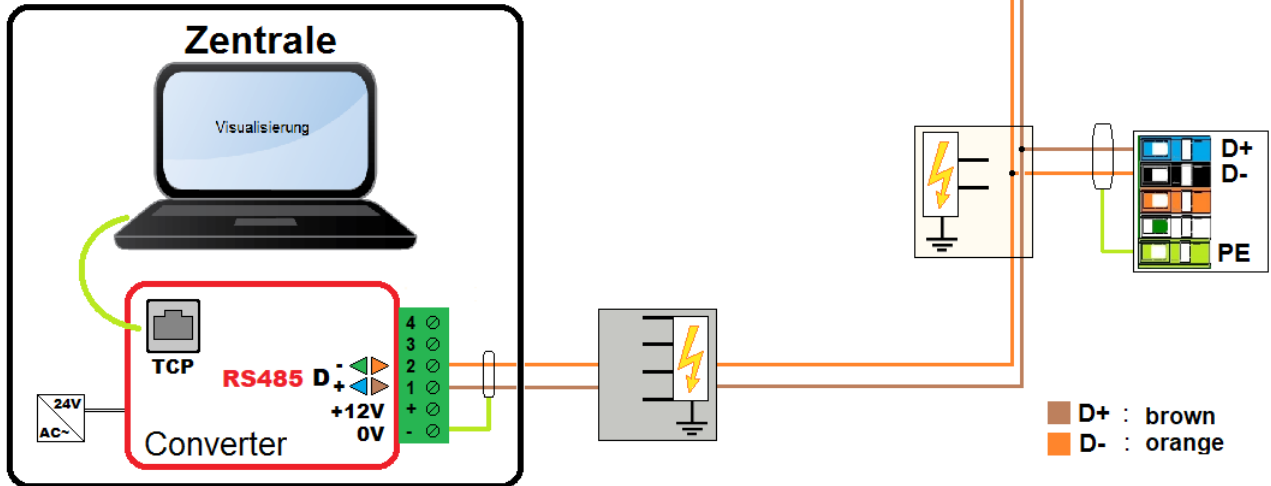
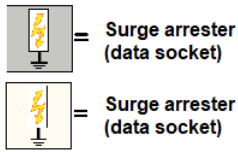
## USB-MBM80



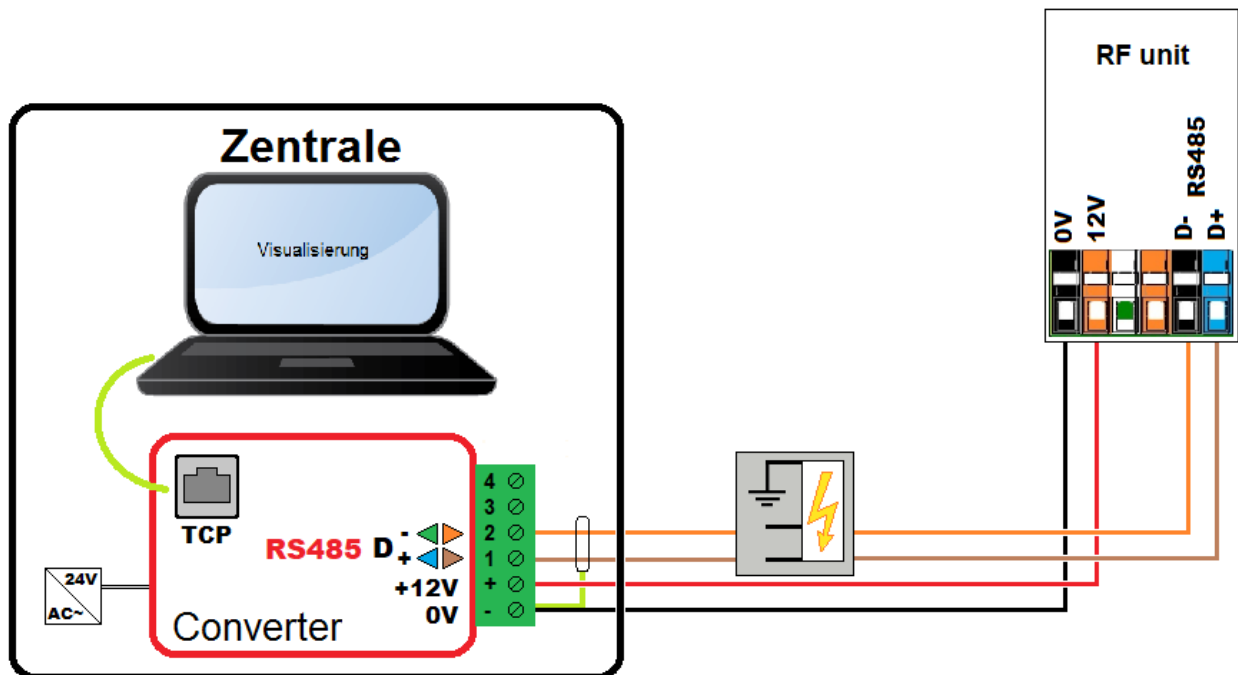
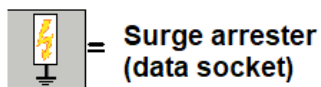
## TCP-422



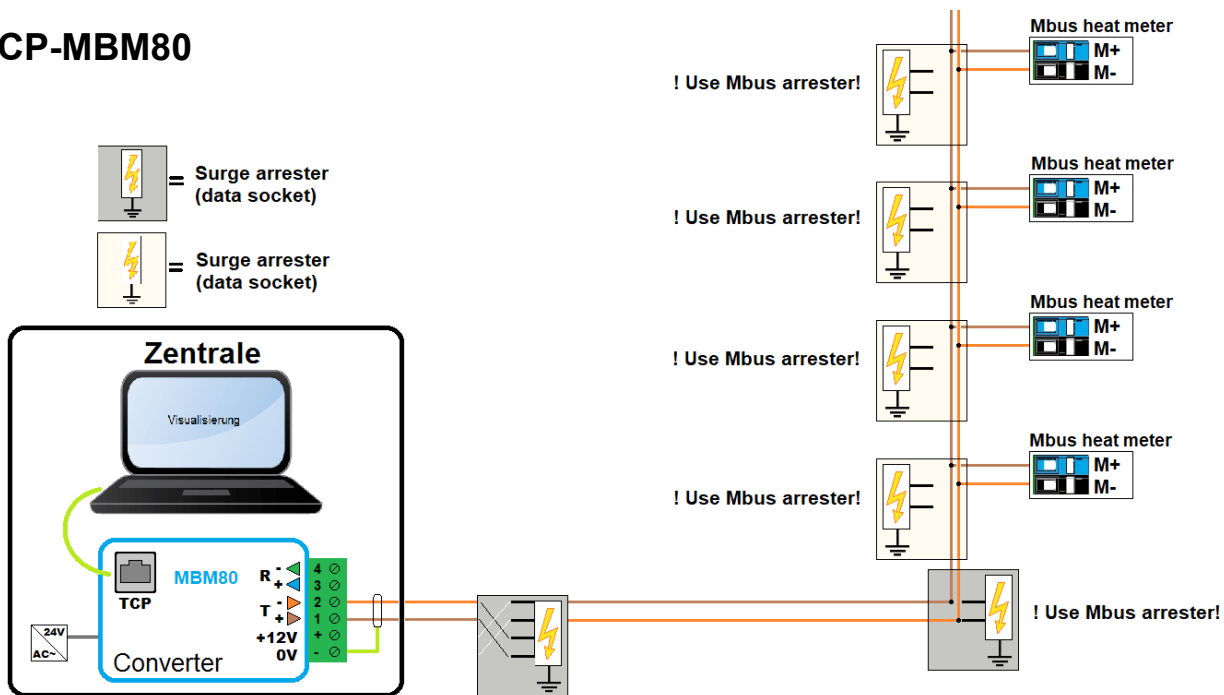
## TCP-485



## TCP-485-RF



## TCP-MBM80



### Technical specifications:

Intrastat Number:	8537.10.91.90
Country of origin	EU/AT
Height, width, depth (in mm)	Gateway 30x130x100 Power supply: 32x59x100 + 2 meter connection cable Connector plug: 14.5x25.3x45.6
Weight (in kg)	Gateway 422-TCP and 485-TCP: 0,173 Gateway 422-USB and 485-USB: 0,172 Gateway MBM80-USB and MBM80-USB: 0,182 Power adapter: 0,176 Connector plug : 0,010
Degree of protection	IP51
Ambient temperature	0°C .... +40°C
Operating voltage	24VDC via power adapter 230VAC
Power consumption	5VA
Voltage output	12VDC, max. 500mA
Connection type	plug
Connection technology	screw terminals
Cable cross-section	Max. 1.5mm <sup>2</sup>
Mounting type	Desktop standing device
Operating time	continuous operation
Degree of pollution	2
Rated surge voltage	1kV