

SPC-MC1 Base Unit

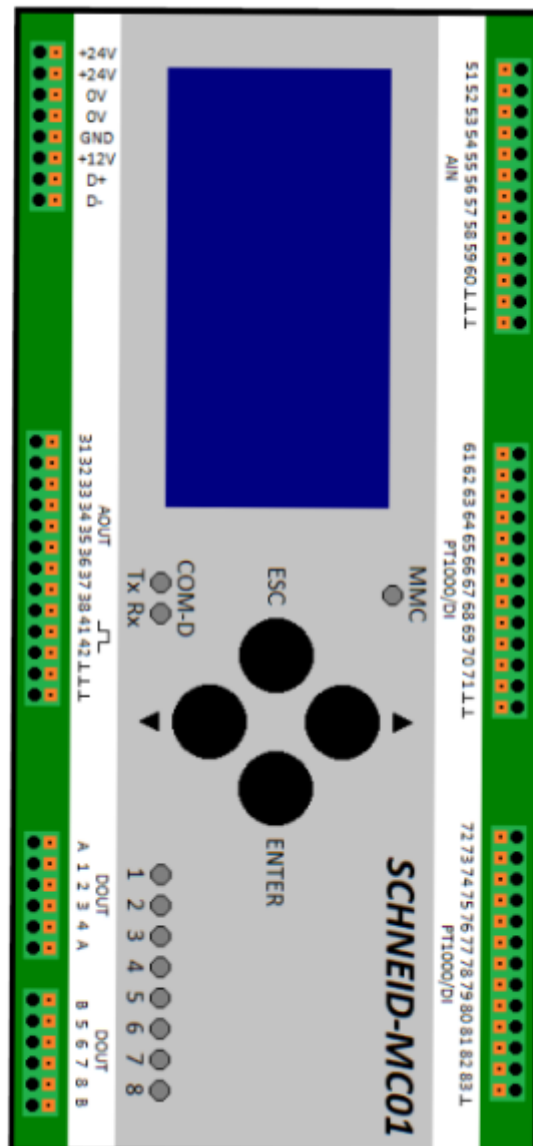
Microprocessor-controlled control device

Terminal plan:

+24VDC: supply 24V
 +24VDC: supply 24V
 0V
 0V
 GND
 +12VDC: supply 12V
 D+: COM-D
 D-: COM-D

Terminal 31: AOUT 1
 Terminal 32: AOUT 2
 Terminal 33: AOUT 3
 Terminal 34: AOUT 4
 Terminal 35: AOUT 5
 Terminal 36: AOUT 6
 Terminal 37: AOUT 7
 Terminal 38: AOUT 8
 Terminal 41: Pulse input 1
 Terminal 42: Pulse input 2
 GND
 GND
 GND

Terminal A: 230VAC or 24VDC
 Terminal 1: DOUT 1
 Terminal 2: DOUT 2
 Terminal 3: DOUT 3
 Terminal 4: DOUT 4
 Terminal A: 230VAC or 24VDC
 Terminal B: 230VAC or 24VDC
 Terminal 5: DOUT 5
 Terminal 6: DOUT 6
 Terminal 7: DOUT 7
 Terminal 8: DOUT 8
 Terminal B: 230VAC or 24VDC



Terminal 51: AIN 1
 Terminal 52: AIN 2
 Terminal 53: AIN 3
 Terminal 54: AIN 4
 Terminal 55: AIN 5
 Terminal 56: AIN 6
 Terminal 57: AIN 7
 Terminal 58: AIN 8
 Terminal 59: AIN 9
 Terminal 60: AIN 10
 GND
 GND
 GND

Terminal 61: PT1000/DIN 1
 Terminal 62: PT1000/DIN 2
 Terminal 63: PT1000/DIN 3
 Terminal 64: PT1000/DIN 4
 Terminal 65: PT1000/DIN 5
 Terminal 66: PT1000/DIN 6
 Terminal 67: PT1000/DIN 7
 Terminal 68: PT1000/DIN 8
 Terminal 69: PT1000/DIN 9
 Terminal 70: PT1000/DIN 10
 Terminal 71: PT1000/DIN 11
 GND
 GND

Terminal 72: PT1000/DIN 12
 Terminal 73: PT1000/DIN 13
 Terminal 74: PT1000/DIN 14
 Terminal 75: PT1000/DIN 15
 Terminal 76: PT1000/DIN 16
 Terminal 77: PT1000/DIN 17
 Terminal 78: PT1000/DIN 18
 Terminal 79: PT1000/DIN 19
 Terminal 80: PT1000/DIN 20
 Terminal 81: PT1000/DIN 21
 Terminal 82: PT1000/DIN 22
 Terminal 83: PT1000/DIN 23
 GND