

# Repeater-module CM11-RS422



Schneid GesmbH | Gewerbering 16 | A-8054 | Graz/Pirka | Tel: +43 (316) 285022

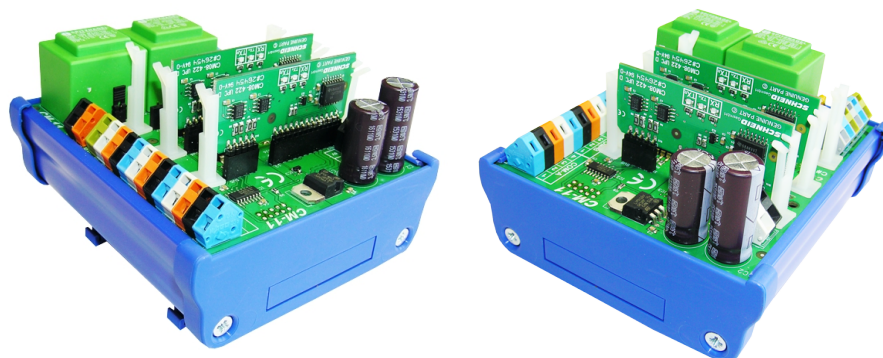
Products, data sheets, documentation, MR12-SCHEMA-calculator: [www.schneid.at](http://www.schneid.at)

## SCHNEID Repeater-module CM11-RS422

Repeater module RS422 for SCHNEID data bus

Order number: 020.15225

Order code: Repeater-Modul CM11-RS422



### Overview:

SCHNEID repeater module CM11 designed as RS422 // RS422 repeater.

With the repeater module, two data networks can be optically and electrically isolated. This can become necessary if a critical cable length is exceeded or the communication is disrupted by external inductive or capacitive interference. The repeater module is equipped with two RS422 interface cards as standard.

Overvoltage protection is required on the input and output side! (e.g. SCHNEID junction box)

### Terminal diagram:

#### Supply Connections:

L	Supply 230VAC
N	Supply 230VAC
PE	
L	Supply 230VAC
N	Supply 230VAC
PE	
+5VDC	Output terminal 5VDC
PE	

#### Interface Connections:

An RS422 interface card is installed on COM-A and COM-B. The connections on COM-A are intended for connecting a new data string (behaves like a converter). The COM-B is the connection to the existing network (direction PC)

# Repeater-module CM11-RS422

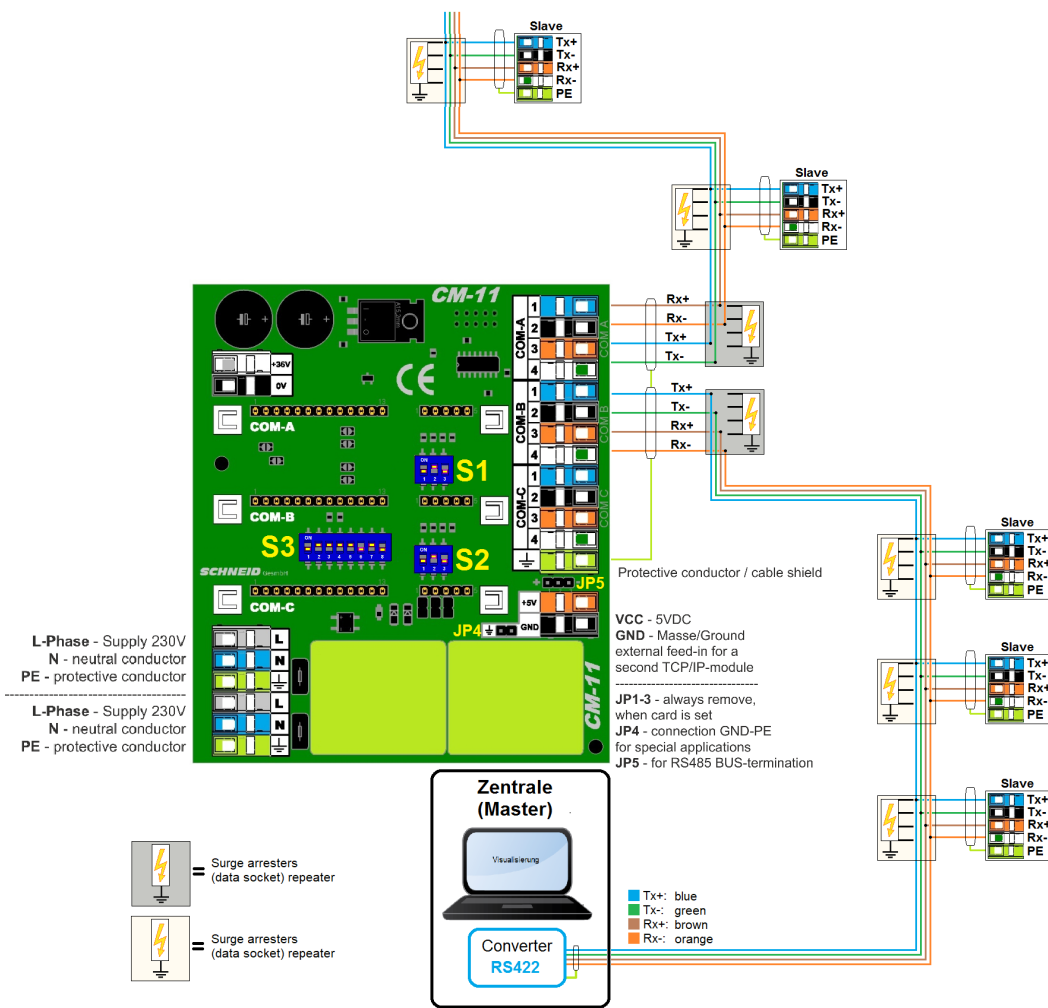
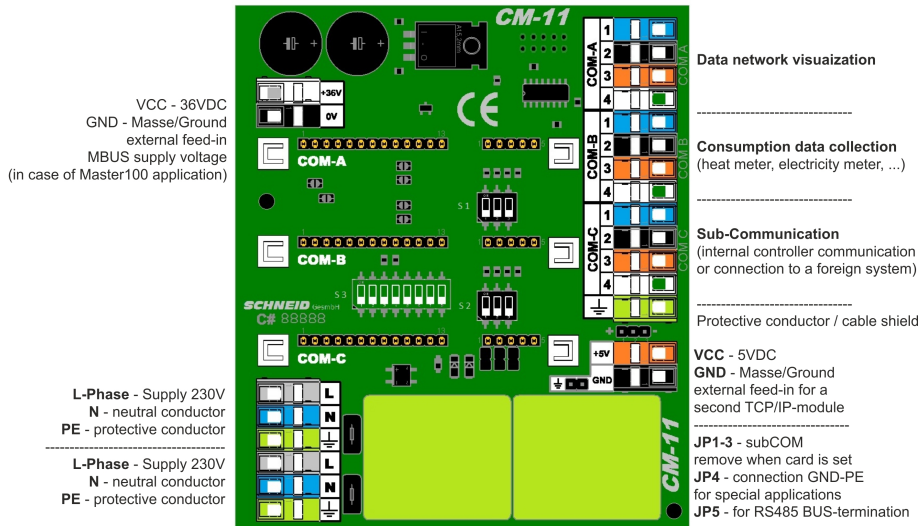
Connections :

COM-A to terminals A1-A4 (new network section)

COM-B to terminals B1-B4 (direction PC)

COM-C to terminals C1-C4 \*not used

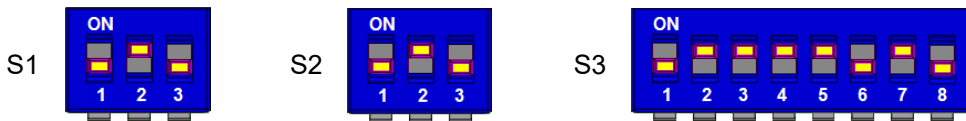
Provide a data socket with overvoltage protection on both sides (COM-A and COM-B)!



# Repeater-module CM11-RS422

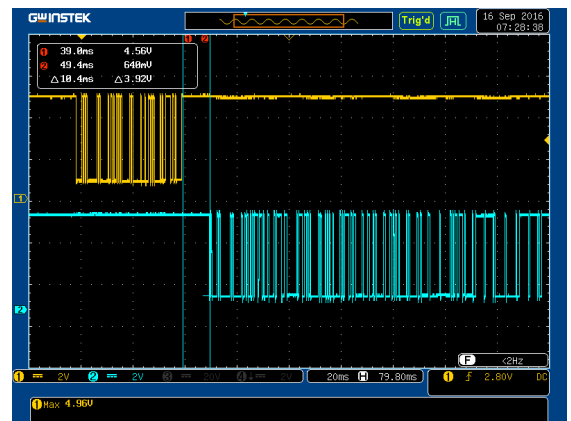
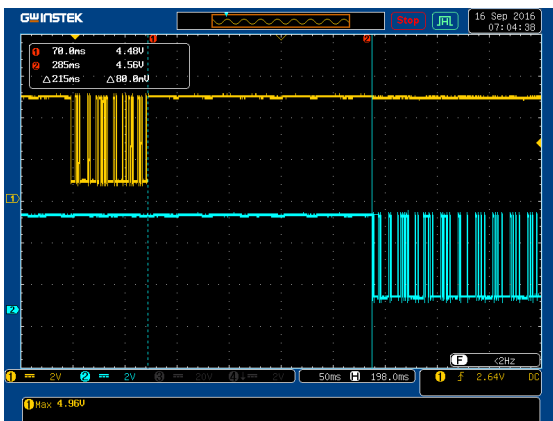
## Dipswitch

Dipswitch default settings for FSS RS422 repeater / (RTS delay = 10msec)

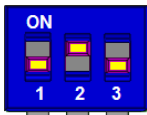


Depending on the controller generation, it takes a certain amount of time before a response from the controller is sent after receiving a request from the master.

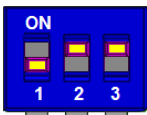
With the controllers of the MR05/06 generation, it takes between 60 and 150 ms until the response telegram starts to be sent.



The controllers from the MR07 generation upwards already respond within approx. 10msec.



With baud rates of 1200baud and lower, both timers must be set to 10msec.



From a baud rate of 4800baud and higher, the timer should be set to 5msec.

Both dipswitches S1 and S2 are always set to the same time unit.

Different timer settings are only necessary in special cases and require consultation with our technicians.

# Repeater-module CM11-RS422

## Scope of delivery:

SCHNEID repeater base module CM11 with two RS422 plug-in card modules in DIN rail with two side covers and two clips.

## Technical specifications:

Intrastat Number:	8537.10.91.90
country of origin	EU/AT
Height, width, depth (in mm)	121x111x83
Weight (in kg)	0,440
Degree of protection	IP-20
Ambient temperature	0°C....+40°C
Operating voltage	230VAC
Power consumption	Max. 5VA
Maximum power 5VDC	250mA
Maximum power 36VDC	100mA
Connection type	Terminals for fixed wiring
Connection technology	spring terminal
Cable cross-section	Max. 2.5mm <sup>2</sup>
Mounting type	DIN-RAIL TS35
Operating time	continuous operation
Degree of pollution	2
Rated surge voltage	1kV