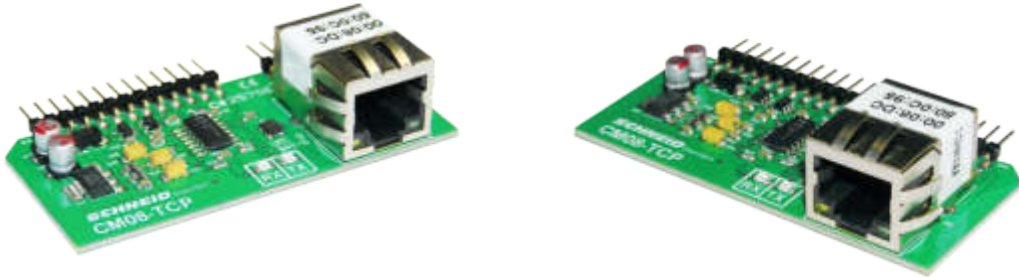


# Plug-in card module CM08-TCP

## Plug-in card module CM08-TCP

for SCHNEID communication base modules

Order number:	130.14519
Order code:	Steckkartenmodul CM08-TCP

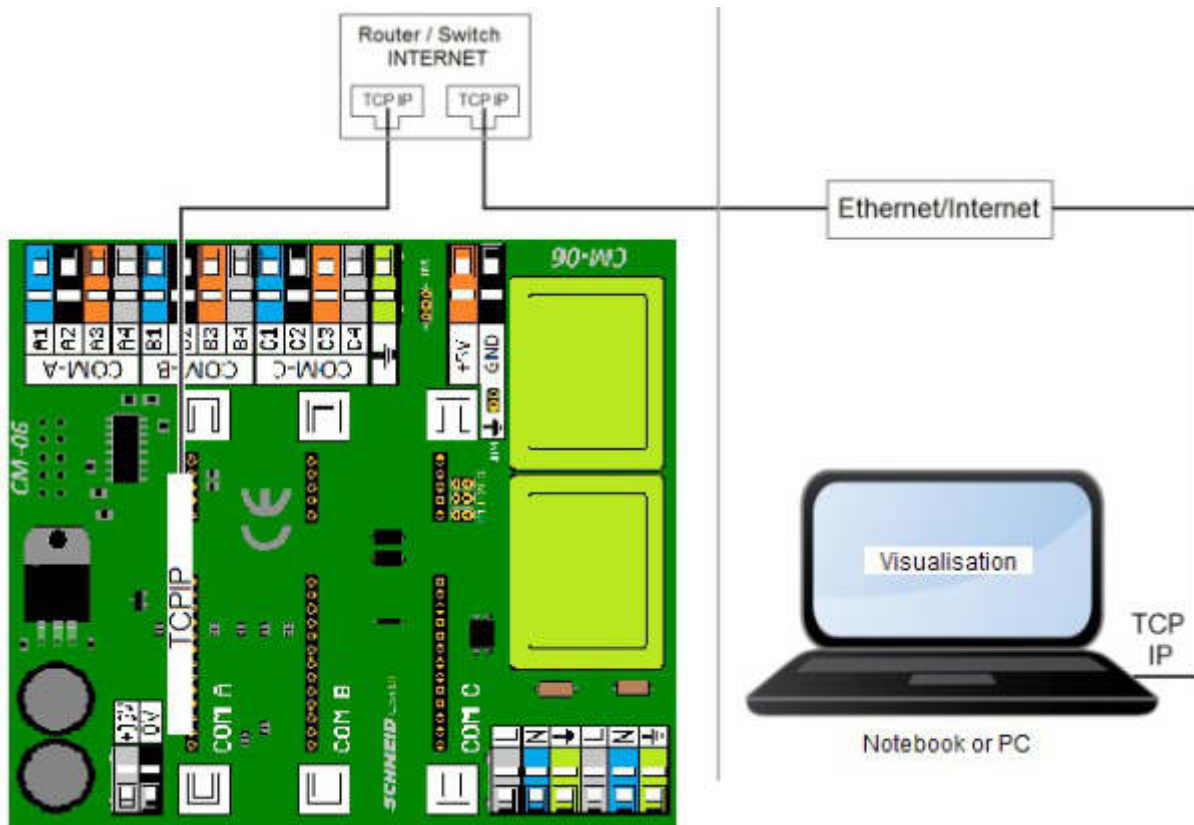


### Overview:

The SCHNEID plug-in card module CM08-TCP is only suitable for the SCHNEID communication basic modules of the module control series.

With this module card, the control device can be integrated into a TCP / IP data network.

- new chipset
- RTS output for gateway solutions with the SCHNEID communication base board CM-10



# Plug-in card module CM08-TCP

SCHNEID

Modern Life - Modern Solutions

www.schneid.at 

## Scope of delivery:

SCHNEID plug-in card module CM08-TCP

## Technical specifications:

Intrastat Number:	8537.10.91.90
Country of origin	EU/AT
Height, width, depth (in mm)	32x65x19
Weight (in kg)	0,017
Degree of protection	IP-00
Ambient temperature	0°C....+40°C
Operating voltage	5VDC
Power consumption	225mA
Max baud rate	115200 Bit/s
Connection type	Pin headers for base module
Mounting type	Plug-in card module
Operating time	Continuous operation
Degree of pollution	2