

DINrail and components

SCHNEID DINRail and components

for SCHNEID module controller

Order number:	400.xxxxx
Order code:	DINRail-xxxxx xxxxx

Overview:

SCHNEID DIN RAIL rail for mounting the SCHNEID module controller 06/07/08/12 with clip, cover and spacer.



Variants:

DIN rail rail 295mm for MR07 / MR08 / MR12 for midi housing

Order number: 400.15403

Order code: DINRail-Schiene 295mm für MR07/MR08/MR12

DIN rail 395mm for MR07 / MR08 / MR12

Order number: 400.13546

Order code: DINRail-Schiene 395mm für MR07/MR08/MR12

DIN rail 420mm for MR07 / MR08 / MR12

Order number: 400.13842

Order code: DINRail-Schiene 420mm für MR07/MR08/MR12

DIN rail 600mm for MR07

Order number: 400.13548

Order code: DINRail-Schiene 600mm für MR07

DIN rail 1000mm for MR07

Order number: 400.13549

Order code: DINRail-Schiene 1000mm für MR07

DINrail and components

SCHNEID

Modern Life - Modern Solutions

www.schneid.at **EN**

DIN rail Cover für MR07/MR08/MR12

Order number: 400.13542

Order code: DINRail-Cover für MR07/MR08/MR12

DIN rail Clip

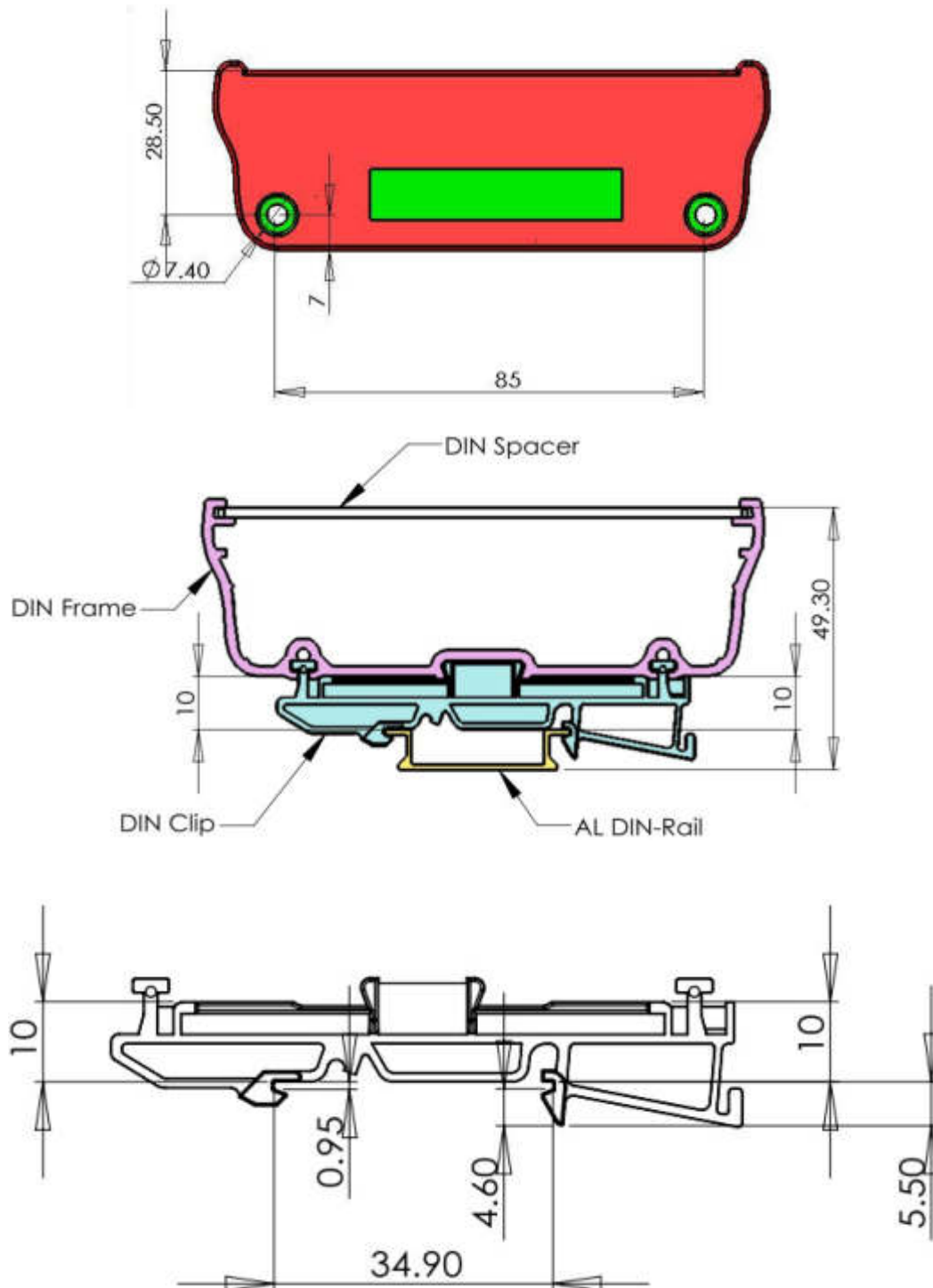
Order number: 400.13544

Order code: DINRail-Clip

DIN rail Spacer

Order number: 400.13545

Order code: DINRail-Spacer



DINrail and components

Scope of delivery:

According to the order of the individual components.

Technical specifications:

Intrastat Number:	9403.10.93.00
Country of origin	EU/AT
Height, width, depth (in mm)	
Rail:	295x103,5x35 395x103,5x35 420x103,5x35 600x103,5x35 1000x103,5x35
Cover:	9,5x111x37,5
Spacer:	40x100x1,5
Clip:	16x80x18,5
Weight (in kg)	
Rail 295:	0,204
Rail 395:	0,273
Rail 420:	0,29
Rail 600:	0,414
Rail 1000:	0,690
Cover: (without screws)	0,012
Spacer:	0,006
Clip:	0,005
Temperature range under normal conditions	-25° C / +40° C

