

Terminal module 4-pin

SCHNEID terminal module 4-pole for FSS-SCHNEID systems
with integrated surge arrester module four-pole

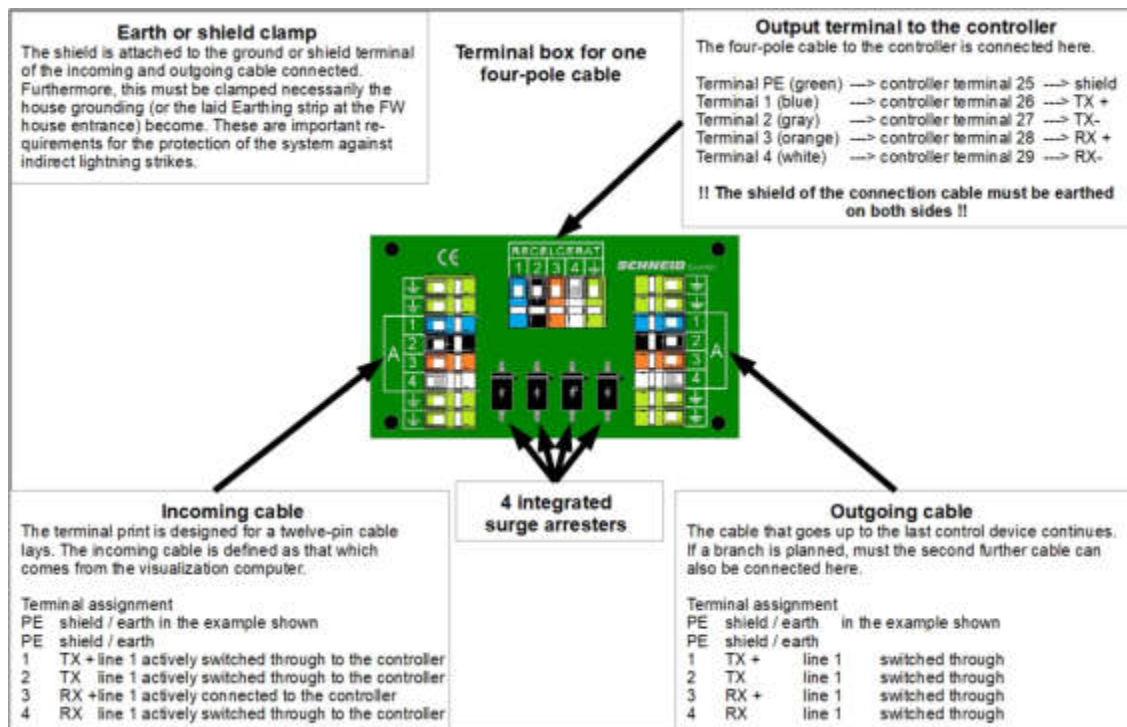
| | |
|----------------------|--|
| Order number: | 020.11877 |
| Order code: | Anklemmmodul 4polig für FSS-SCHNEID Systeme |



Overview:

The SCHNEID 4-pole terminal module for FSS-SCHNEID systems is used to clamp the ground data cable in accordance with the specifications for SCHNEID networks (for more details see www.schneid.at). Furthermore, all necessary discharge modules and protective devices for the precautions to protect the network and the control electronics from direct and indirect lightning strikes are integrated in the terminal module. The terminal module is supplied in a DinRAIL housing for top-hat rail mounting.

Terminal plan:



Terminal module 4-pin

Scope of delivery:

SCHNEID terminal module 04P for FSS-SCHNEID systems with integrated four-pole overvoltage module in DIN rail with two side covers and clips.

Technical specifications:

| | |
|------------------------------------|-------------------------|
| Intrastat Number | 8537.10.91.90 |
| Country of origin | EU/AT |
| Height, width, depth (in mm) | 59,5 x 111 x 61 |
| Weight (in kg) | 0,119 |
| Degree of protection | IP-00 |
| Ambient temperature | 0°C....+40°C |
| Breakdown Voltage V_{BR} | 9,5 – 10,5V |
| Maximum Clamping Voltage V_C | 14,5V |
| Maximum Peak Pulse I_{PPM} | 103A |
| Peak Pulse Power (10/1000 μ s) | 1500W |
| Connection type | Fixed wiring terminals |
| Connection technology | Spring clamp |
| Cable cross-section | Max. 2.5mm ² |
| Mounting type | DIN-RAIL TS35 |
| Operating time | Continuous operation |
| Degree of pollution | 2 |
| | |