

# Terminal box 4-pin



Schneid GesmbH | Gewerbering 16 | A-8054 | Graz/Pirka | Tel: +43 (316) 285022

Products, data sheets, documentation, MR12-SCHEMA-calculator: [www.schneid.at](http://www.schneid.at)

**SCHNEID 4-pin terminal box for FSS-SCHNEID systems**  
with integrated surge arrester module four-pole.

**Order number:** 020.11730

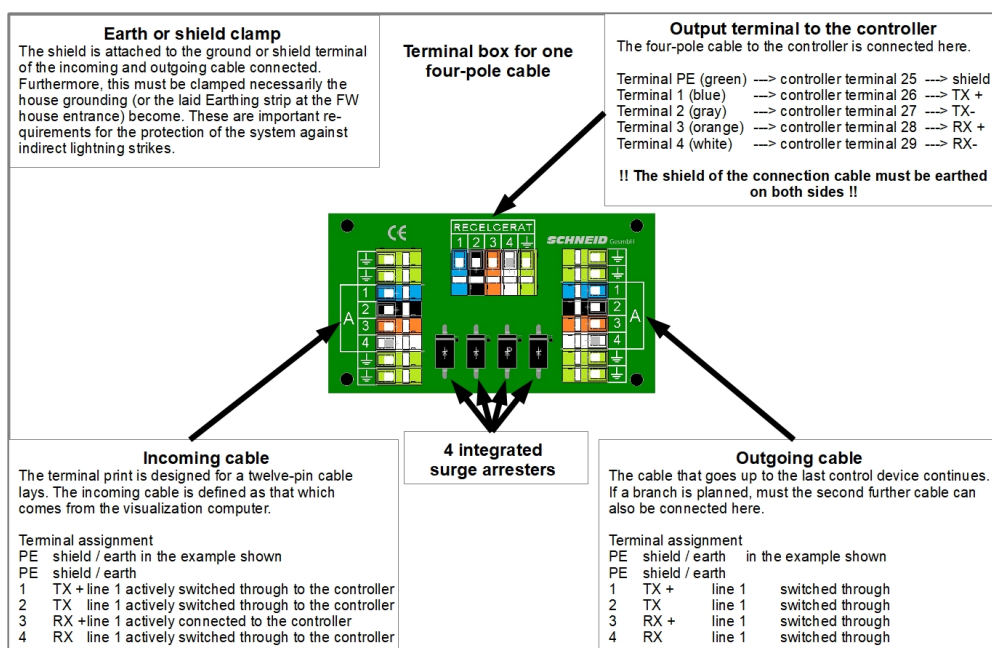
**Order code:** Anklemdose 4polig für FSS-SCHNEID Systeme



## Overview:

The SCHNEID terminal box 4-pin is used to clamp the ground data cable according to the specifications for networks (for more details see [www.schneid.at](http://www.schneid.at)). Furthermore, all necessary arrester modules and protective devices for the precautions to protect the network from indirect lightning strikes are integrated in the box.

## Terminal plan:



# Terminal box 4-pin

## Scope of delivery:

SCHNEID terminal box 4-pole for FSS-SCHNEID systems with integrated overvoltage module, 4-pole.

## Terminal plan:

|                                |                         |
|--------------------------------|-------------------------|
| Intrastat Number               | 8537.10.91.99           |
| Country of origin              | EU/AT                   |
| Height, width, depth (in mm)   | 127x170x83              |
| Weight (in kg)                 | 0,282                   |
| Degree of protection           | IP-65                   |
| Ambient temperature            | 0°C....+40°C            |
| Breakdown Voltage $V_{BR}$     | 9,5 – 10,5V             |
| Maximum Clamping Voltage $V_C$ | 14,5V                   |
| Maximum Peak Pulse $I_{PPM}$   | 103A                    |
| Peak Pulse Power (10/1000µs)   | 1500W                   |
| Connection type                | Fixed wiring terminals  |
| Connection technology          | Spring clamp            |
| Cable cross-section            | Max. 2.5mm <sup>2</sup> |
| Mounting type                  | Wall mounting           |
| Operating time                 | Continuous operation    |
| Degree of pollution            | 2                       |
|                                |                         |