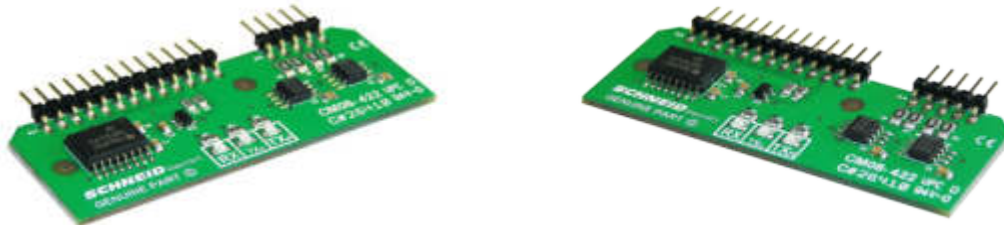


Plug-in card module CM08-422 SubCOM

SCHNEID plug-in card module CM08-422 SubCOM

for SCHNEID communication base modules

Order number:	130.10595
Order code:	Steckkartenmodul CM08-422 SubCOM



Overview:

The SCHNEID plug-in card module CM08-422 SubCOM is only suitable for the SCHNEID communication basic modules of the module control series.

This board enables the sub-communication between the controllers of the MR05 series and the controllers of the MR06 series as well as the following controllers to be connected with the communication via the COM base module.

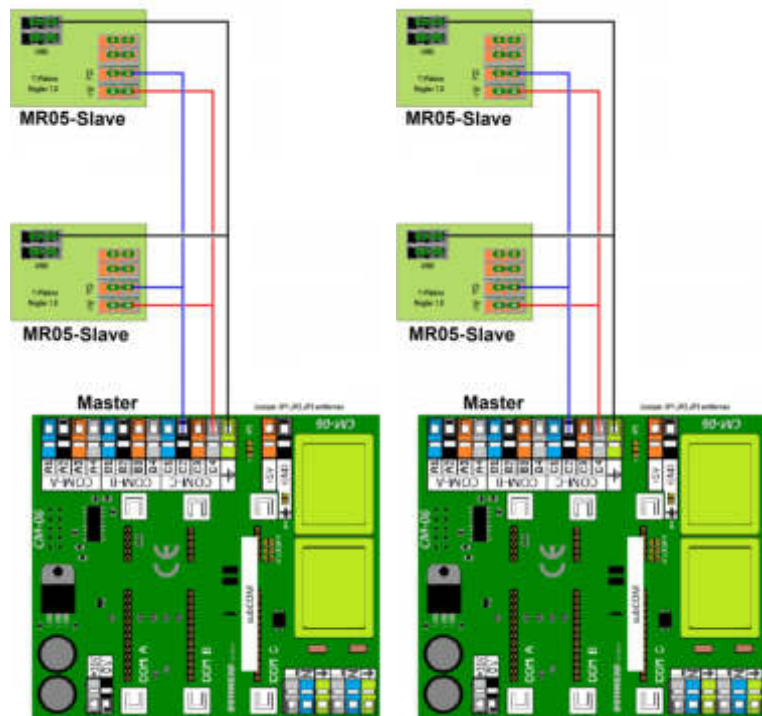
This is necessary because the interface of the controller generations is not compatible.

Terminal plan:

The plug-in card must be plugged into COM-C on the COM base board.

! The 3 pcs jumpers must be removed beforehand!

2	subCOM TX
4	subCOM RX
PE	subCOM GND



Plug-in card module CM08-422 SubCOM

SCHNEID

Modern Life - Modern Solutions

www.schneid.at 

Scope of delivery:

SCHNEID Plug-in card module CM08-422 SubCOM

Technical specifications:

Intrastat Number:	8537.10.91.90
Country of origin	EU/AT
Height, width, depth (in mm)	32x65x6
Weight (in kg)	0,008
Degree of protection	IP-00
Ambient temperature	0°C....+40°C
Operating voltage	5VDC
Power consumption	25mA
Max baud rate	9600 Bit/s
Connection type	Pin headers for base module
Mounting type	Plug-in card module
Operating time	Continuous operation
Degree of pollution	2